



**Streu *master***  
**Spreading Technology**

Technical specification

# Binding agent spreader SW 3 FC

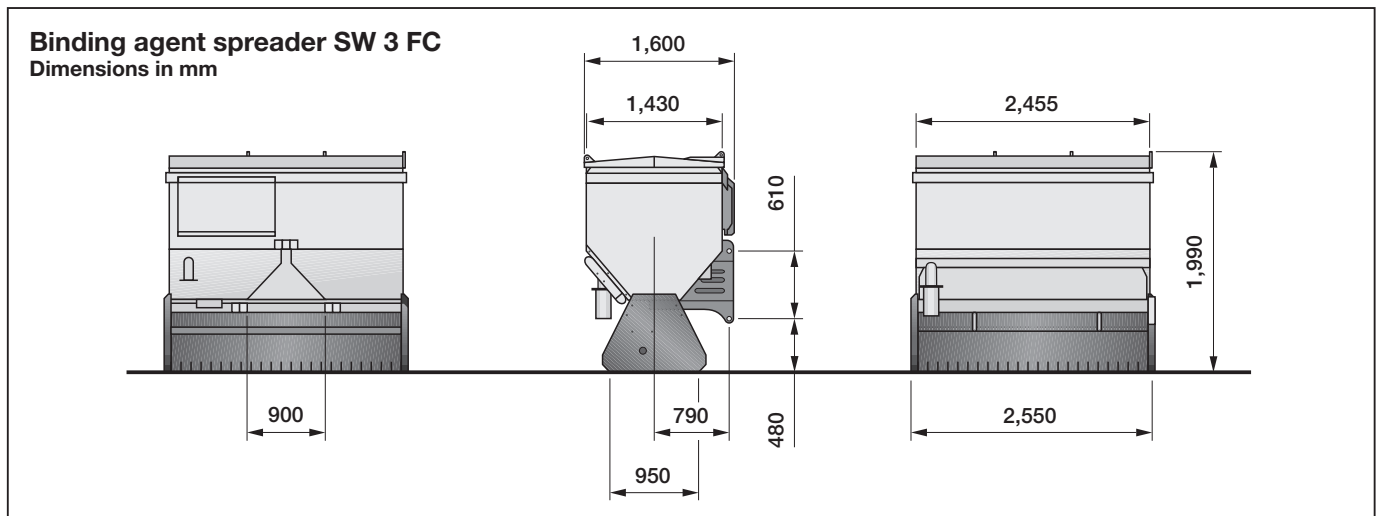


# Technical specification

<b>Binding agent spreader SW 3 FC</b>	
<b>Container</b>	
Container capacity	3 m <sup>3</sup>
Size of filling connector/filling hose	3"/3"
<b>Spreading unit (metering feeders)</b>	
Working width/partial widths	2,460 mm/3 x 820 mm
Spreading quantity at 1 km/h* <sup>1</sup>	1 – 50 l/m <sup>2</sup>
<b>Weights</b>	
Own weight* <sup>2</sup>	1,140 kg
<b>Dimensions (L x W x H)</b>	
	1,600 x 2,550 x 1,990 mm
<b>Tractor requirements</b>	
Power lift	three-point category 2 DIN/ISO 730-1
Required hydraulic output	50 l/min at 180 bar
Max. permissible hydraulic volumetric flow rate	60 l/min
Electrical system	12 V

\*<sup>1</sup> = quantity applied depends on various parameters (e.g. binder, feeding unit and job-site conditions)

\*<sup>2</sup> = basic machine without any additional equipment



Equipment features	SW 3 FC
<b>Container / chassis</b>	
Standard coating	■
Special coating	□
Loading and lashing lugs	■
Hydraulic fold-down container cover	■
Relief cover	■
Vent pipe and pressure relief flap integrated into the container	■
3" pneumatic filling device	■
<b>Drive / control system / on-board computer</b>	
Oil flow control valve	■
Hydraulic and electrical systems centrally located with protective cover	■
Electronic weighing device* <sup>1</sup>	□
Radar unit for speed sensing	□
Control unit	■
Operator terminal for automatic adjustment of the quantity to be spread	□
Infinite adjustment of the quantity to be spread	■
Level indicator "Container full"	■
<b>Spreading unit</b>	
Size DN 230-10 rotary feeding unit	■
Size DN 230-20 rotary feeding unit for small quantities	□
Volumetric dosing	■
Self-cleaning rotary feeders	■
Three separately controlled part-widths	■
All-automatic dosing, regardless of the travel speed	□
<b>Miscellaneous</b>	
Standard warranty	■
Customized warranty	□
Dust protection	■
Bag filter package	□
Safety certificate by the employers liability insurance association	■
Collecting pan and digital suspended scales for checking the spread quantity	■
Technical documentation in duplicate	■

\*<sup>1</sup> = cannot be calibrated

■ = standard equipment  
□ = optional equipment



Wirtgen GmbH  
Reinhard-Wirtgen-Strasse 2 · 53578 Windhagen · Germany  
Phone: +49 (0) 26 45/131-0 · Fax: +49 (0) 26 45/131-242  
Internet: [www.wirtgen.com](http://www.wirtgen.com) · E-Mail: [info@wirtgen.com](mailto:info@wirtgen.com)

Made by STREUMASTER Maschinenbau GmbH