



Technical specification

# Binding agent spreader MA series

SW 12 MA | SW 16 MA



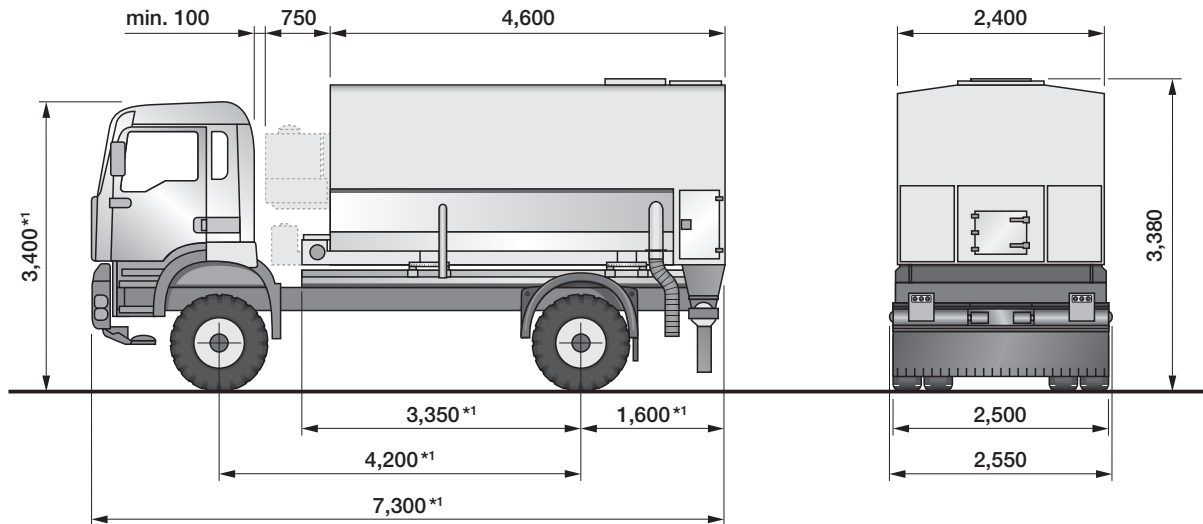


	Binding agent spreader SW 12 MA	Binding agent spreader SW 16 MA
<b>Container</b>		
Container capacity	12 m <sup>3</sup>	16 m <sup>3</sup>
Size of filling connector/filling hose	3"/4"	
<b>Conveyor chain</b>		
Width of conveyor chain	950 mm	
Opening height of slide gate	350 mm	
<b>Spreading unit</b>		
Max. working width	2,500 mm	
Spreading quantity at 2 km/h*1	2–35 l/m <sup>2</sup>	
<b>Hydraulic system</b>		
Max. hydraulic power	50 l/min x 230 bar	
Capacity of hydraulic fluid tank	100 l	
<b>Weights</b>		
Built-up empty weight*2	4,000 kg	4,500 kg
<b>Truck requirements</b>		
Minimum speed of auxiliary drive	500 min <sup>-1</sup>	
Required speed of auxiliary drive for max. hydraulic power	1,000 min <sup>-1</sup>	
Max. permissible speed of auxiliary drive	2,500 min <sup>-1</sup>	
Required power output of auxiliary drive	20 kW	
Required torque of auxiliary drive, max.	200 Nm	
Electrical system – standard	24 V / > 10 A	
Electrical system – optional	12 V / > 20 A	

\*1 = quantity applied depends on various parameters (e.g. binder, feeding unit and job-site conditions)

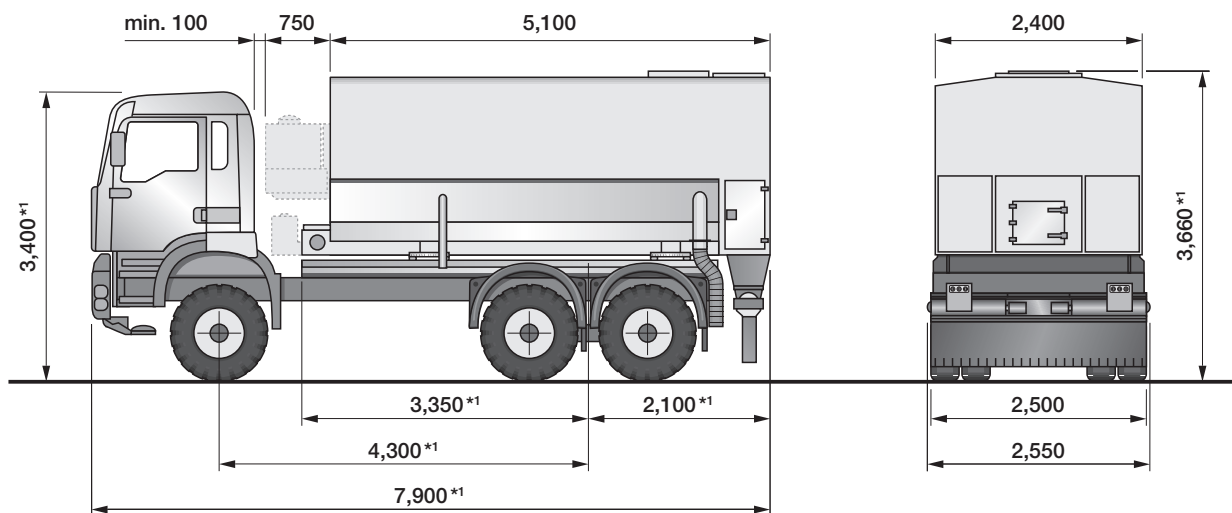
\*2 = basic machine without any additional equipment

**Binding agent spreader SW 12 MA**  
**Built-up unit with 2-axle truck**  
 Dimensions in mm



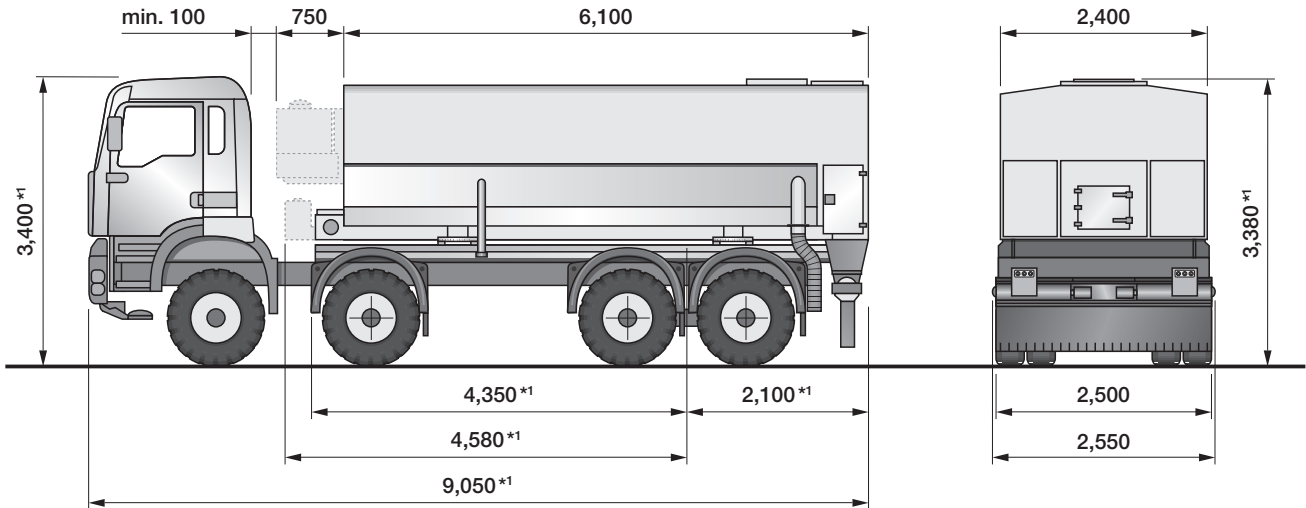
<sup>\*1</sup> = dimensions based on MAN chassis

**Binding agent spreader SW 16 MA**  
**Built-up unit with 3-axle truck**  
 Dimensions in mm



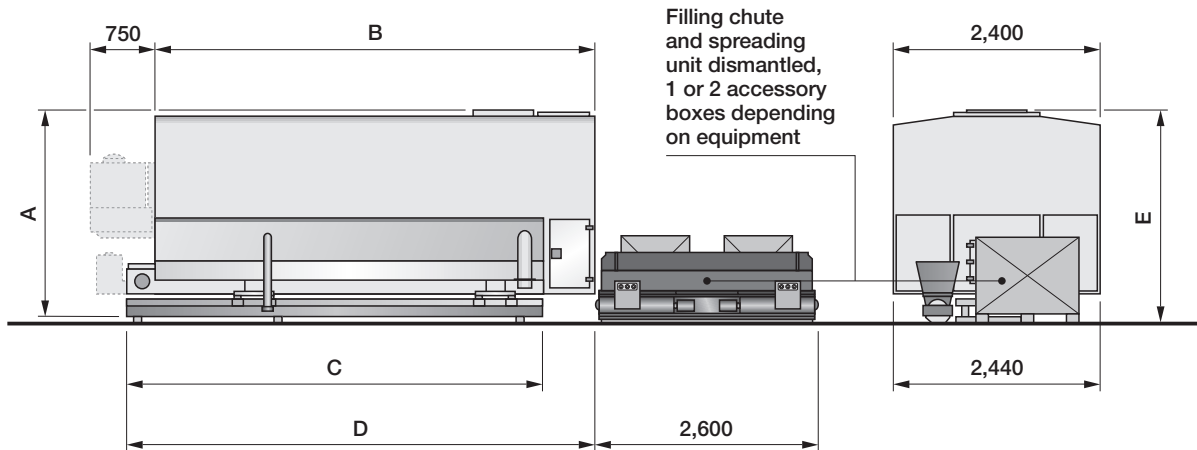
<sup>\*1</sup> = dimensions based on MAN chassis

**Binding agent spreader SW 16 MA**  
**Built-up unit with 4-axle truck**  
**Dimensions in mm**



\*1 = dimensions based on MAN chassis

**Transport dimensions of binding agent spreader SW 12 MA and SW 16 MA**  
**(built-up unit, without truck)**  
**Dimensions in mm**



	A	B	C	D	E
SW 12 MA (built-up unit for 2 axles)	2,140	4,600	4,380	4,980	2,240
SW 16 MA (built-up unit for 3 axles)	2,420	5,100	4,880	5,480	2,520
SW 16 MA (built-up unit for 4 axles)	2,140	6,100	5,880	6,480	2,240

Equipment features	SW 12 MA 2 axles	SW 16 MA 3 axles	SW 16 MA 4 axles
<b>Container/ chassis</b>			
Standard coating	■	■	■
Special coating	□	□	□
Binder container with internal reinforcement	■	■	■
Lockable side doors	■	■	■
Inspection ports with safety switch	■	■	■
Storage compartments	□	□	□
Loading and lashing lugs	■	■	■
Built-up unit for 2-axle truck	■	-	-
Built-up unit for 3-axle truck	-	■	-
Built-up unit for 4-axle truck	-	-	■
Sub-frame for the carrying vehicle	■	■	■
Relief cover on the conveyor chains to prevent material building up in the container	■	■	■
Vent pipe and pressure relief flap integrated into the container	■	■	■
3" pneumatic filling device on both sides	■	■	■
4" pneumatic filling device on both sides	□	-	-
4" high-speed pneumatic filling device on both sides	-	□	□
Hydraulic slide gate	■	■	■
Sensor-controlled conveyor chain	■	■	■
Mudguard with mounting parts * <sup>3</sup>	□	□	□
Lateral protection * <sup>3</sup>	□	□	□
<b>Drive/ control system/ on-board computer</b>			
Closed on-board hydraulic system	■	■	■
Oil flow control valve	■	■	■
Hydraulic system grouped together in a valve block for easy servicing	■	■	■

\*<sup>1</sup> = cannot be calibrated

\*<sup>2</sup> = including licensing papers for Germany. Please contact your local Wirtgen branch for licensing in other countries

\*<sup>3</sup> = required for TÜV approval in Germany

■ = standard equipment

□ = optional equipment

- = not available

Equipment features	SW 12 MA 2 axles	SW 16 MA 3 axles	SW 16 MA 4 axles
<b>Drive/control system/on-board computer</b>			
Electronic weighing device* <sup>1</sup>	<input type="checkbox"/>	<input type="checkbox"/>	<input type="checkbox"/>
Speed sensor mounted on the universal joint shaft	<input checked="" type="checkbox"/>	<input checked="" type="checkbox"/>	<input checked="" type="checkbox"/>
Central control electronics in a control cabinet	<input checked="" type="checkbox"/>	<input checked="" type="checkbox"/>	<input checked="" type="checkbox"/>
Control unit	<input checked="" type="checkbox"/>	<input checked="" type="checkbox"/>	<input checked="" type="checkbox"/>
Infinite adjustment of the quantity to be spread	<input checked="" type="checkbox"/>	<input checked="" type="checkbox"/>	<input checked="" type="checkbox"/>
Level indicator "Container full" or "empty"	<input checked="" type="checkbox"/>	<input checked="" type="checkbox"/>	<input checked="" type="checkbox"/>
Auxiliary engine for operation independently of the carrying vehicle or tractor	<input type="checkbox"/>	<input type="checkbox"/>	<input type="checkbox"/>
<b>Spreading unit</b>			
Spreading screw with "RotoPlus" dosing device	<input checked="" type="checkbox"/>	<input checked="" type="checkbox"/>	<input checked="" type="checkbox"/>
Working width divided into 2 part-widths	<input checked="" type="checkbox"/>	<input checked="" type="checkbox"/>	<input checked="" type="checkbox"/>
<b>Miscellaneous</b>			
Standard warranty	<input checked="" type="checkbox"/>	<input checked="" type="checkbox"/>	<input checked="" type="checkbox"/>
Customized warranty	<input type="checkbox"/>	<input type="checkbox"/>	<input type="checkbox"/>
Dust protection	<input checked="" type="checkbox"/>	<input checked="" type="checkbox"/>	<input checked="" type="checkbox"/>
Access ladder	<input checked="" type="checkbox"/>	<input checked="" type="checkbox"/>	<input checked="" type="checkbox"/>
Bag filter package	<input type="checkbox"/>	<input type="checkbox"/>	<input type="checkbox"/>
Automatic dust-collecting filter system	<input type="checkbox"/>	<input type="checkbox"/>	<input type="checkbox"/>
Monitor system for monitoring the rear working area	<input type="checkbox"/>	<input type="checkbox"/>	<input type="checkbox"/>
Lighting package with 4 LED working lights	<input type="checkbox"/>	<input type="checkbox"/>	<input type="checkbox"/>
German TÜV approval (Technischer Überwachungsverein = Technical Inspection Agency)* <sup>2</sup>	<input type="checkbox"/>	<input type="checkbox"/>	<input type="checkbox"/>
Collecting pan and digital suspended scales for checking the spread quantity	<input checked="" type="checkbox"/>	<input checked="" type="checkbox"/>	<input checked="" type="checkbox"/>
Safety certificate by the employers liability insurance association	<input checked="" type="checkbox"/>	<input checked="" type="checkbox"/>	<input checked="" type="checkbox"/>
Technical documentation in duplicate	<input checked="" type="checkbox"/>	<input checked="" type="checkbox"/>	<input checked="" type="checkbox"/>

\*<sup>1</sup> = cannot be calibrated

\*<sup>2</sup> = including licensing papers for Germany. Please contact your local Wirtgen branch for licensing in other countries

\*<sup>3</sup> = required for TÜV approval in Germany

= standard equipment  
 = optional equipment  
- = not available



Wirtgen GmbH  
Reinhard-Wirtgen-Strasse 2 · 53578 Windhagen · Germany  
Phone: +49 (0) 26 45/131-0 · Fax: +49 (0) 26 45/131-242  
Internet: [www.wirtgen.com](http://www.wirtgen.com) · E-Mail: [info@wirtgen.com](mailto:info@wirtgen.com)

Made by STREUMASTER Maschinenbau GmbH