



Technical specification

Binding agent spreader TC series

SW 10 TC | SW 16 TC



	Binding agent spreader SW 10 TC	Binding agent spreader SW 16 TC
Container		
Container capacity	10 m ³	16 m ³
Size of filling connector/filling hose	3"/4"	3"/4"
Conveyor chain		
Width of conveyor chain	950 mm	950 mm
Opening height of slide gate	350 mm	350 mm
Spreading unit (metering feeders)		
Working width/partial widths	2,460 mm/3 x 820 mm	2,460 mm/3 x 820 mm
Spreading quantity at 2 km/h* ¹	3–60 l/m ²	3–60 l/m ²
Hydraulic system		
Max. hydraulic power	75 l/min x 300 bar	75 l/min x 300 bar
Capacity of hydraulic fluid tank	100 l	100 l
Weights		
Empty weight* ² , approx.	5,000 kg	6,800 kg
Permissible total weight* ³	13,000 kg* ⁵	21,000 kg
Technically permissible total weight	15,000 kg	27,000 kg
Tyres		
Standard tyre size	710/50 – 30.5	710/45 – 26.5
Permissible travel speed* ³	25 km/h	25 km/h
Transport dimensions (L x W x H)*⁴, approx.		
	6,700 x 2,660 x 3,100 mm	8,200 x 2,760 x 3,250 mm
Tractor requirements		
Recommended engine power	> 90 kW/120 PS (all-wheel)	> 130 kW/180 PS (all-wheel)
Required speed of driveshaft	1,000 min ⁻¹	1,000 min ⁻¹
Tongue load at towing gear	3,000 kg* ⁵	3,000 kg
Electrical system	12 V / > 30 A	12 V / > 30 A

*¹ = quantity applied depends on various parameters (e.g. binder, feeding unit and job-site conditions)

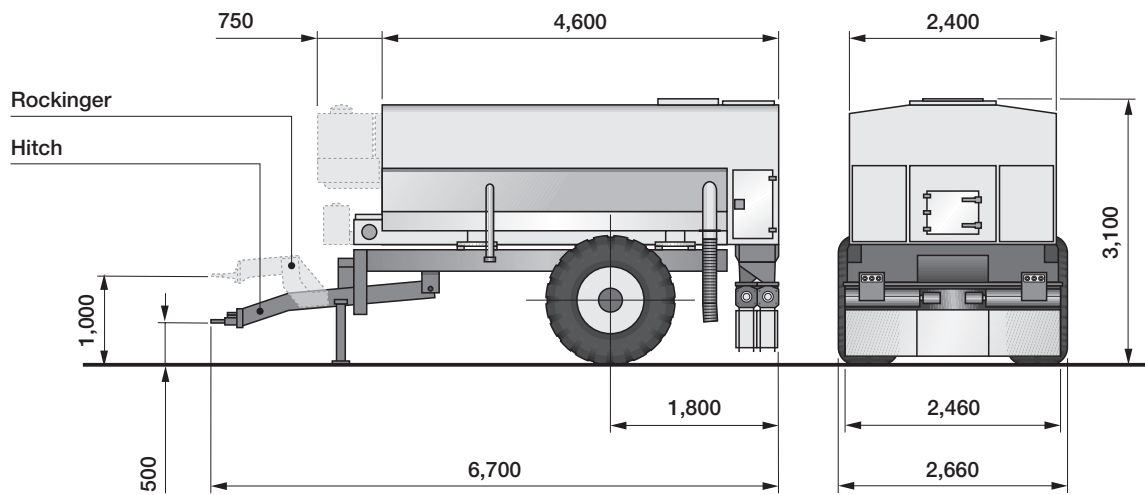
*² = basic machine without any additional equipment

*³ = on public roads, adhering to the German Road Traffic Licensing Regulations (StVZO)

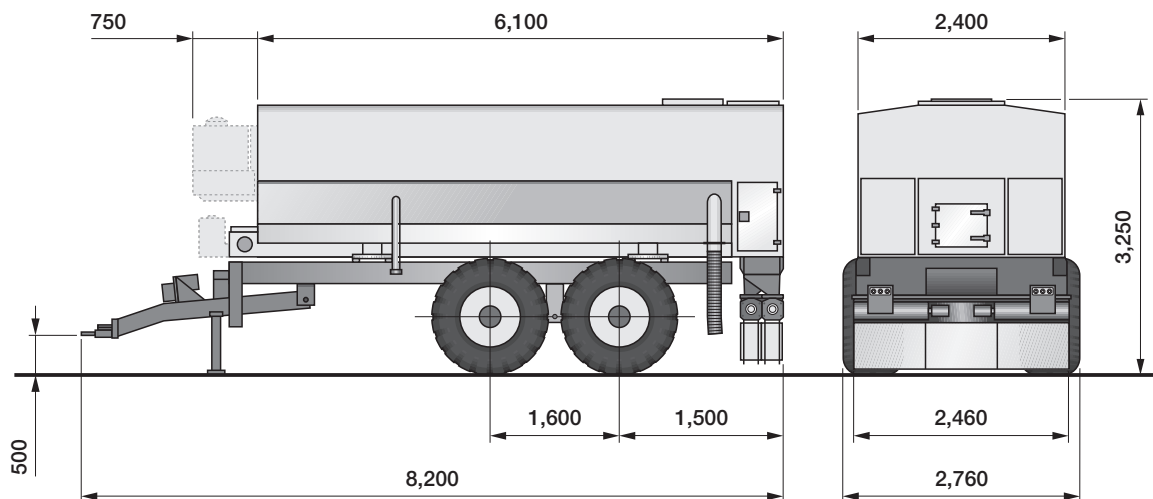
*⁴ = with standard tyres, when mounted

*⁵ = minus 1 t for Rockinger drawbar

Binding agent spreader SW 10 TC
Dimensions in mm

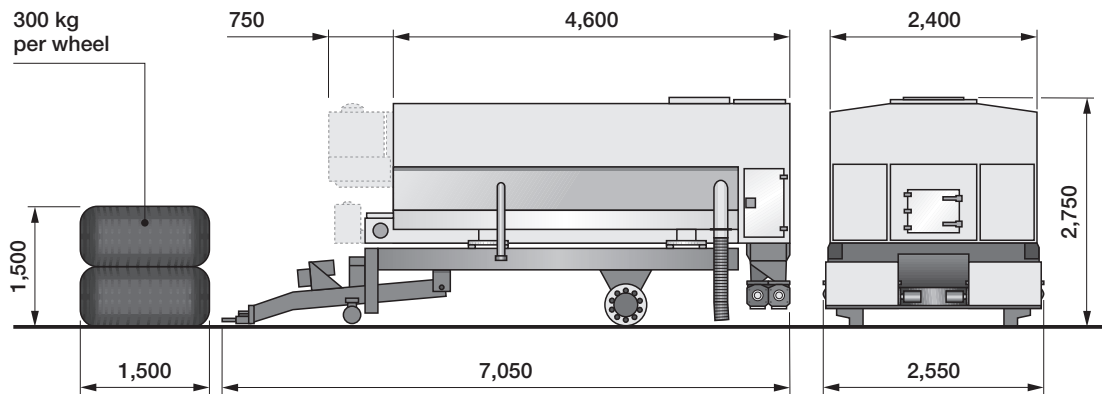


Binding agent spreader SW 16 TC
Dimensions in mm



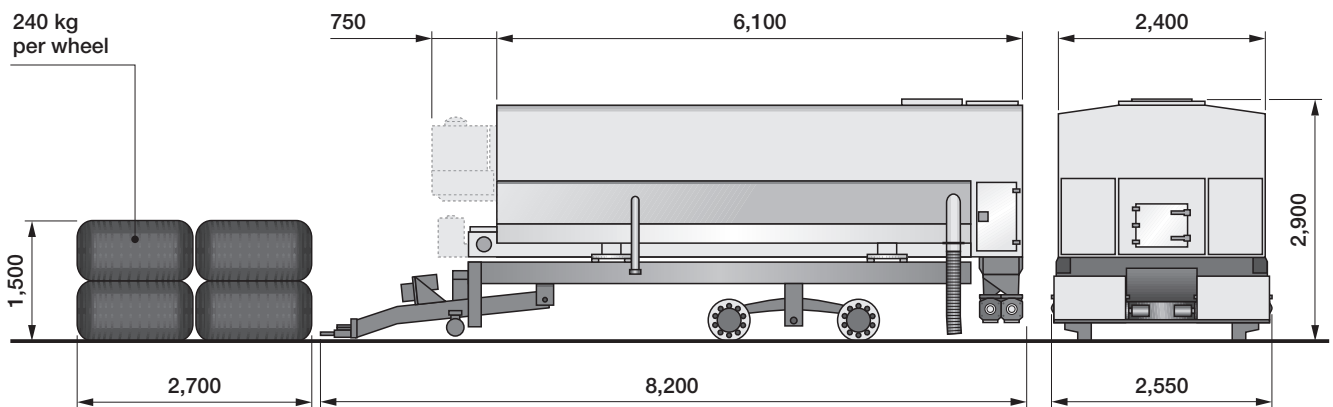
Transport of binding agent spreader SW 10 TC

Dimensions in mm



Transport of binding agent spreader SW 16 TC

Dimensions in mm



Equipment features	SW 10 TC	SW 16 TC
Container / chassis		
Standard coating	■	■
Special coating	□	□
Binder container with internal reinforcement	■	■
Lockable side doors	■	■
Inspection ports with safety switch	■	■
Storage compartments	□	□
Loading and lashing lugs	■	■
Single-axle chassis with spring-loaded drawbar	■	-
Tandem-axle chassis with spring-loaded drawbar	-	■
Hitch-type drawbar	■	■
Rockinger drawbar	□	-
Hydraulic support foot	■	■
Hydraulic braking system	■	■
Dual line air braking system	□	□
Relief cover on the conveyor chains to prevent material building up in the container	■	■
Vent pipe and pressure relief flap integrated into the container	■	■
3" pneumatic filling device on both sides	■	■
4" pneumatic filling device on both sides	□	-
4" high-speed pneumatic filling device on both sides	-	□
Filling device with stone filter	■	■
Hydraulic slide gate	■	■
Filling chute with 2 sensor-controlled transverse augers	■	■
Sensor-controlled conveyor chain	■	■
Mudguard with mounting parts *4	□	□
Drive / control system / on-board computer		
Load sensing hydraulic pump	■	■
Closed on-board hydraulic system	■	■
Hydraulic oil cooler	■	■
Oil flow control valve	■	■
Hydraulic system grouped together in a valve block for easy servicing	■	■
Electronic weighing device *1	□	□
"WeighTronic" electronic weighing device with automatic adjustment	□	□
Speed sensor mounted on the wheels	■	■
Radar unit for speed sensing	■	■
Control terminal	■	■
Central control electronics in a control cabinet	■	■
Programmable logic controller (SPS)	■	■
Infinite adjustment of the quantity to be spread	■	■
Level indicator "Container full" or "empty"	■	■
"Standard" drive on both sides	■	■
"OptiPower" drive on both sides	-	□
Auxiliary engine for operation independently of the carrying vehicle or tractor	□	□

*1 = cannot be calibrated

*2 = altered transport dimensions, please request separate dimension sheet

*3 = including licensing papers for Germany. Please contact your local Wirtgen branch for licensing in other countries

*4 = required for TÜV approval in Germany

■ = standard equipment

□ = optional equipment

- = not available

Equipment features	SW 10 TC	SW 16 TC
Spreading unit		
Size DN 230-10 rotary feeding unit	■	■
High-performance size DN 410-17 rotary feeding unit	□	□
Volumetric dosing	■	■
Self-cleaning rotary feeders	■	■
Three separately controlled part-widths	■	■
All-automatic dosing, regardless of the travel speed	■	■
Drive adaptations		
Wide-angle drive shaft with 1- ³ / ₈ " connection – 6-part	■	■
Wide-angle drive shaft with 1- ³ / ₄ " connection – 6-part	□	□
Wide-angle drive shaft with 1- ³ / ₄ " connection – 20-part	□	□
Wide-angle drive shaft with 1- ³ / ₈ " connection – 21-part	□	□
Tyres		
Low-pressure tyres 710/50-30.5	■	-
Low-pressure tyres 710/45-26.5	-	■
Low-pressure tyres 800/45-30.5 *2	□	-
Low-pressure tyres 800/40-26.5 *2	-	□
Low-pressure tyres 600/60-30.5 *2 *4	□	-
Miscellaneous		
Standard warranty	■	■
Dust protection	□	□
Bag filter package	■	■
Access ladder	■	■
Bag filter package	□	□
Automatic dust-collecting filter system	□	□
Rotary compressor for automatic filling from a stationary silo and/or for cleaning the machine	□	□
Job data printer for documenting consumption of binding agent and performance per unit area	□	□
Monitor system for monitoring the rear working area	□	□
Water spray system with water tank to reduce dust formation during the spreading process	□	□
High-pressure cleaner with water tank	□	□
Lighting package with 4 LED working lights	□	□
German TÜV approval (Technischer Überwachungsverein = Technical Inspection Agency) *3	□	□
Collecting pan and digital suspended scales for checking the spread quantity	■	■
Safety certificate by the employers liability insurance association	■	■
Technical documentation in duplicate	■	■

*1 = cannot be calibrated

*2 = altered transport dimensions, please request separate dimension sheet

*3 = including licensing papers for Germany. Please contact your local Wirtgen branch for licensing in other countries

*4 = required for TÜV approval in Germany

■ = standard equipment
□ = optional equipment
- = not available



Wirtgen GmbH
Reinhard-Wirtgen-Strasse 2 · 53578 Windhagen · Germany
Phone: +49 (0) 26 45/131-0 · Fax: +49 (0) 26 45/131-242
Internet: www.wirtgen.com · E-Mail: info@wirtgen.com

Made by STREUMASTER Maschinenbau GmbH