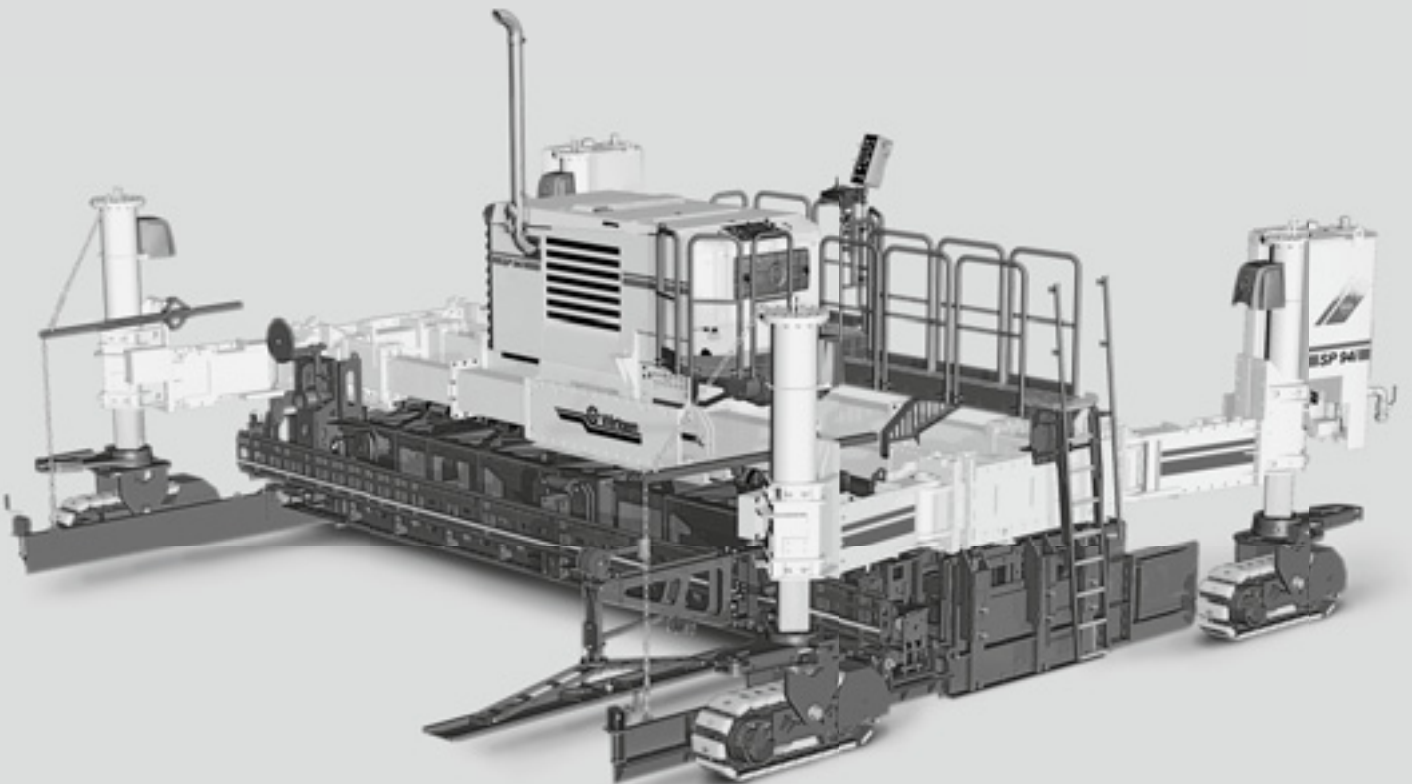




Technical specification

# Slipform Paver SP 94 / SP 94i



# Technical specification

Slipform paver	SP 94	SP 94i
<b>Vibrators and circuits</b>		
Hydraulic vibration	12 connectors (optional: 18 or 24 connectors)	
Electric vibration	12 connectors (optional: 20 or 28 connectors)	
Hydraulically driven vibrators	curved (D66)	
Electrically driven vibrators	curved (D76)	
<b>Engine</b>		
Engine manufacturer	Cummins	Cummins
Type	QSC8.3 C-300	QSL9 C-310
Cooling	water	water
Number of cylinders	6	6
Rated power at 2,100 min <sup>-1</sup>	224 kW/300 HP/305 PS	231 kW/310 HP/314 PS
Displacement	8,300 cm <sup>3</sup>	8,900 cm <sup>3</sup>
Fuel consumption, full load	61.8 l/h	62.5 l/h
Fuel consumption, <sup>2</sup> / <sub>3</sub> load	41.2 l/h	41.7 l/h
Exhaust emission standards	EC Stage 3a/US Tier 3	EC Stage 4/US Tier 4f
<b>Electrical system</b>		
Supply voltage	24 V DC	
Electric vibration	110 V AC 3~/200 Hz	
<b>Tank capacities</b>		
Fuel tank	500 l	500 l
Adblue <sup>®</sup> /DEF tank	-	57 l
Hydraulic oil tank, electric vibration	250 l	250 l
Hydraulic oil tank, hydraulic vibration	380 l	380 l
Water tank	500 l + 500 l	500 l + 500 l
<b>Driving properties</b>		
Paving speed	0–7 m/min	
Travel speed in travel gear	0–30 m/min	

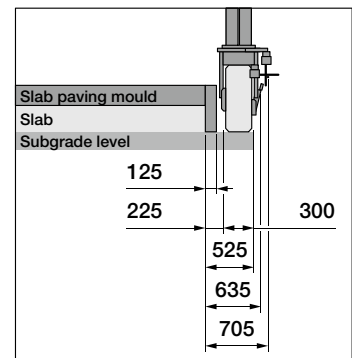
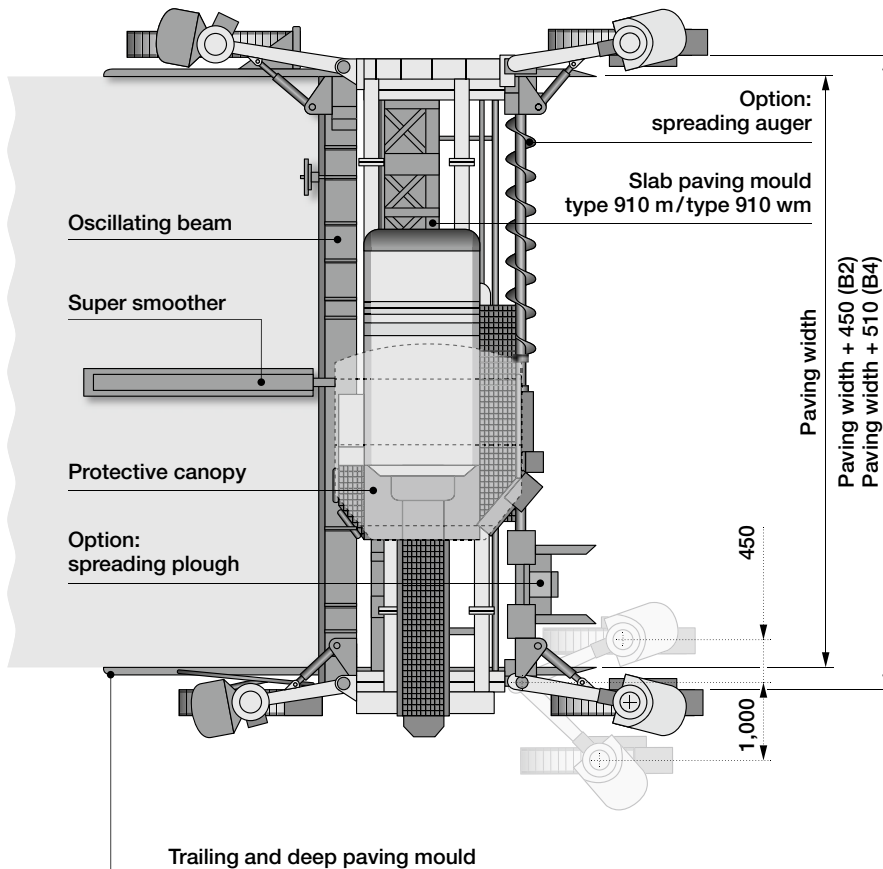
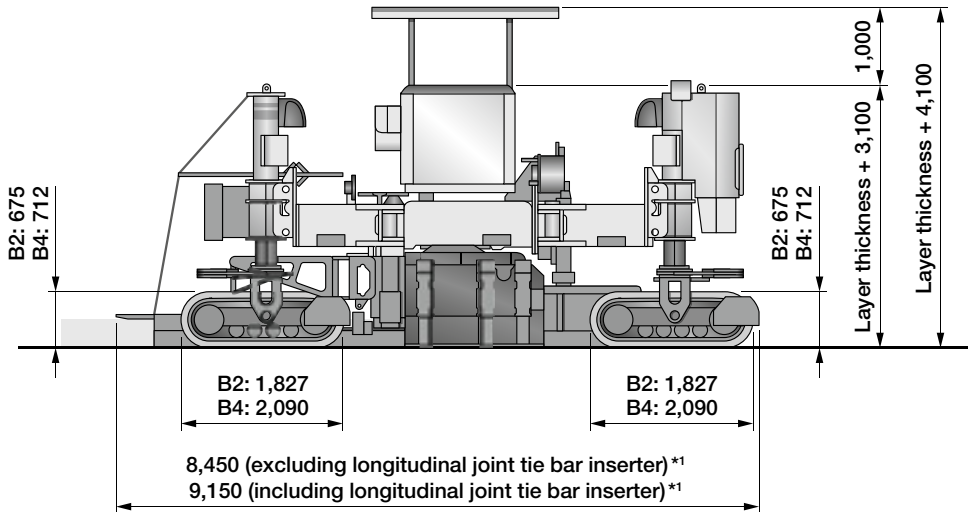
Slipform paver	SP 94	SP 94i
<b>Track units</b>		
Number	4	
Type B2: dimensions (L x W x H)	1,827 x 300 x 675 mm	
Type B4: dimensions (L x W x H)	2,090 x 350 x 712 mm	
<b>Height adjustment</b>		
Hydraulic	1,000 mm	
Mechanical	470 mm	
<b>Range of applications</b>		
Slab paving application without central crown	paving width: 2.00 to 9.50 m <sup>*1</sup> layer thickness: up to 450 mm <sup>*1</sup>	
Slab paving application with central crown	paving width: 3.50 to 9.50 m <sup>*1</sup> layer thickness: up to 450 mm <sup>*1</sup>	
<b>Concrete spreading</b>		
Spreading auger	modular extension to up to 9.50 m	
Spreading plough	modular extension to up to 9.50 m	
<b>Concrete spreading</b>		
Slab paving mould type 910 m (excluding wearing pan, excluding crown function)	modular extension to up to 9.50 m	
Slab paving mould type 910 wm (including wearing pan, including or excluding crown function)	modular extension to up to 9.50 m	
Dowel bar inserter (DBI)	modular extension to up to 9.50 m	
Oscillating beam	modular extension to up to 9.50 m	
Super smoother	modular extension to up to 9.50 m	
Longitudinal joint tie bar inserter	1 or 2	
Side tie bar inserter	right and/or left	
<b>Central crown</b>		
Variable adjustment range	for paving widths of 2.00 to 8.00 m: max. 3 % <sup>*2</sup> for paving widths of 8.00 to 9.50 m: max. 2 % <sup>*2</sup>	
<b>Transport dimensions (L x W x H)</b>		
<b>Paving width 3.50 m:</b> Machine including slab paving mould type 910 m/910 wm, including spreading plough, oscillating beam and super smoother	9,200 x 3,000 x 3,100 mm	
<b>Paving width 9.50 m:</b> Machine including slab paving mould type 910 m/910 wm, including spreading plough, oscillating beam and super smoother	15,200 x 3,000 x 3,100 mm	
<b>Machine weights</b>		
Operating weight CE (including slab paving mould type 910 m), 3.50 m	26,020 kg <sup>*3</sup>	
Machine weight	24,000 to 65,000 kg <sup>*3</sup>	

\*1 = Please consult factory for special paving widths, layer thicknesses and optional equipment features

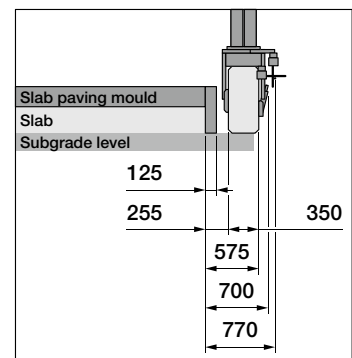
\*2 = Values within standard transport height; please consult factory for special dimensions

\*3 = Weights depend on the machine's range of equipment and paving width

**Paving situation: slipform paver SP 94/SP 94i equipped with spreading auger or spreading plough, slab paving mould type 910 m/910 wm, oscillating beam and super smoother**  
 Dimensions in mm



Minimum space required for B2 track units at a paving width  $\geq 2.50$  m (excluding side tie bar inserter)

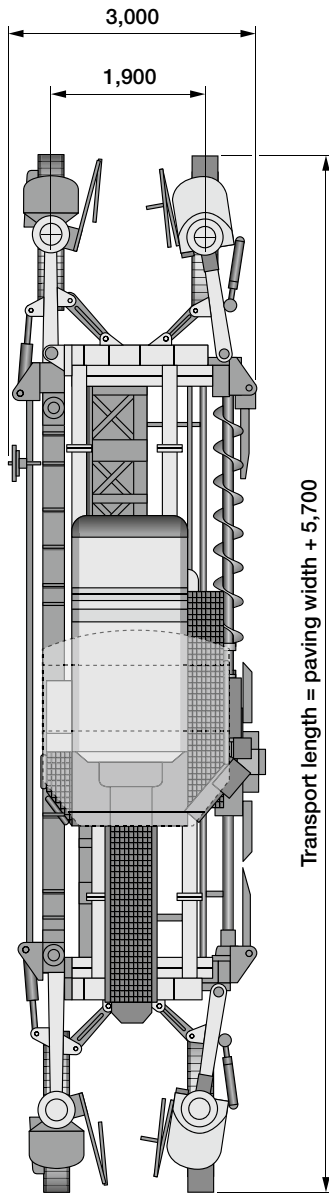


Minimum space required for B4 track units at a paving width  $\geq 2.50$  m (excluding side tie bar inserter)

\*1 = Longitudinal joint tie bar inserter (pivotable) and side tie bar inserter not shown

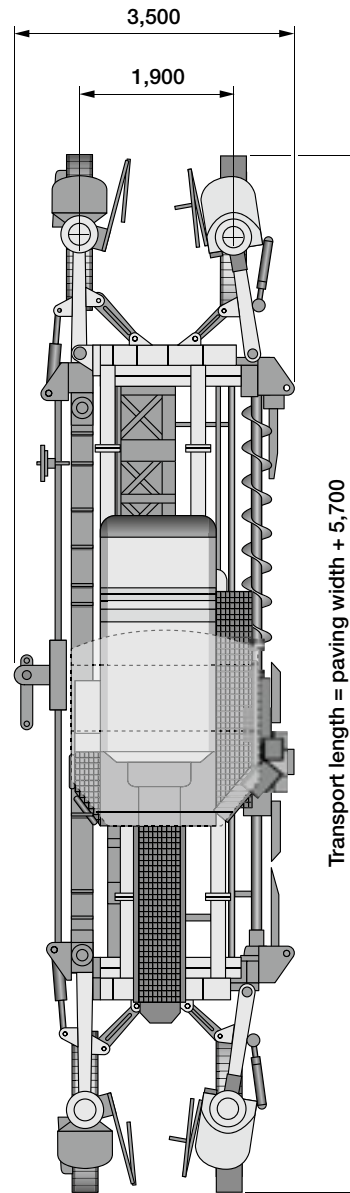
**Transport situation: slipform paver SP 94/SP 94i equipped with spreading auger or spreading plough, slab paving mould type 910 m/910 wm, oscillating beam and super smoother**  
 Dimensions in mm

**Option A<sup>\*2</sup>:**



Transport height: 3,100

**Option B<sup>\*2</sup>:**



Transport height: 3,100

**To be removed<sup>\*3</sup>:**

- Trailing and deep paving mould
- Super smoother carriage
- Linkage of hydraulic pivoting legs, front


**To be removed<sup>\*3</sup>:**

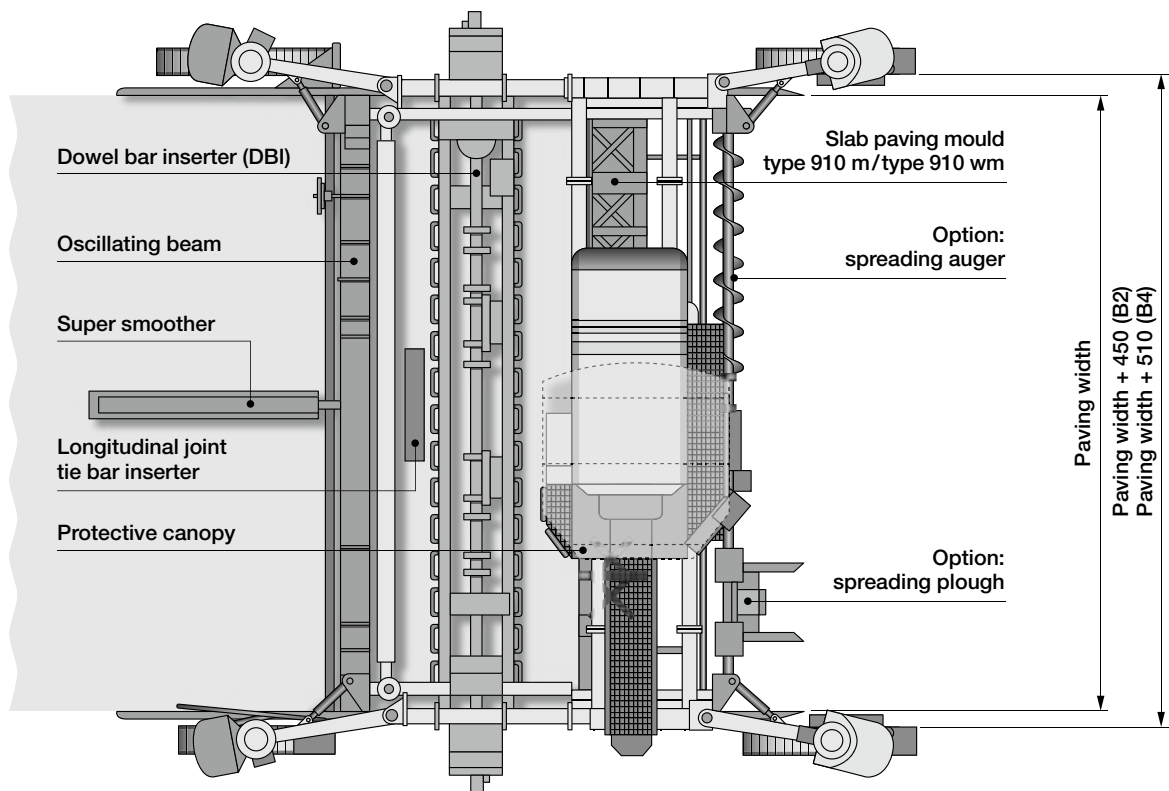
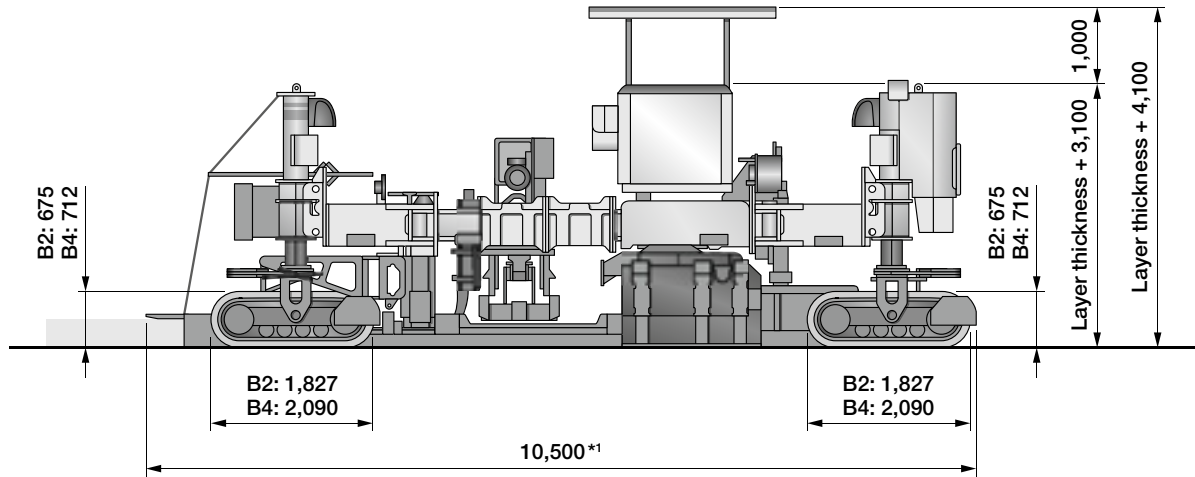
- Screed plate of super smoother
- Trailing and deep paving mould

<sup>\*2</sup> = Longitudinal joint tie bar inserter not included

<sup>\*3</sup> = Removal of additional components may be necessary depending on machine configuration

**Paving situation: slipform paver SP 94/SP 94i equipped with spreading auger or spreading plough, slab paving mould type 910 m/910 wm, dowel bar inserter (DBI), oscillating beam and super smoother**  
**Dimensions in mm**

Working direction  


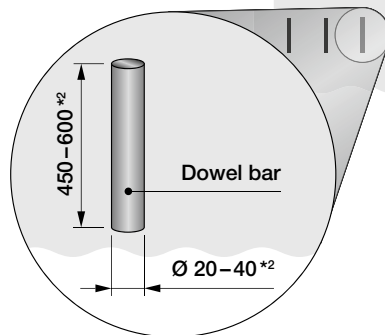
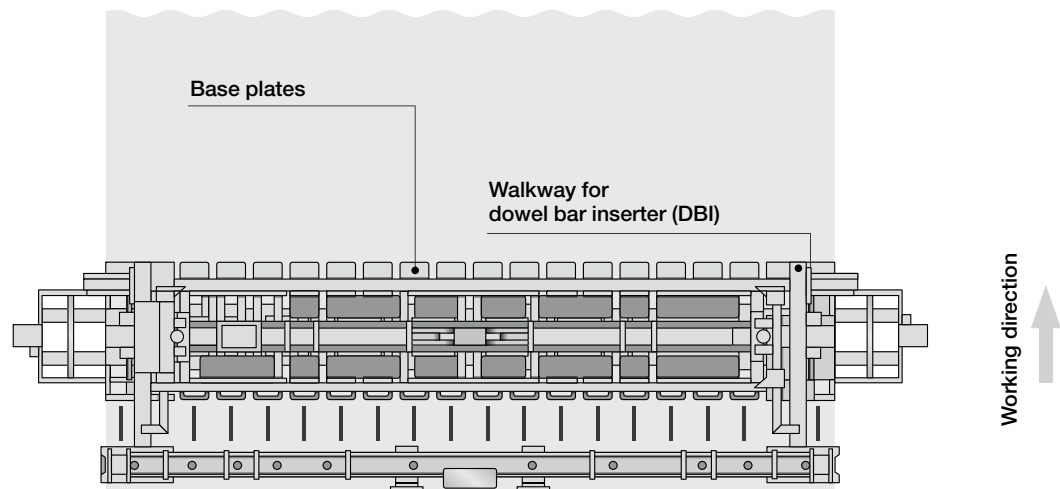
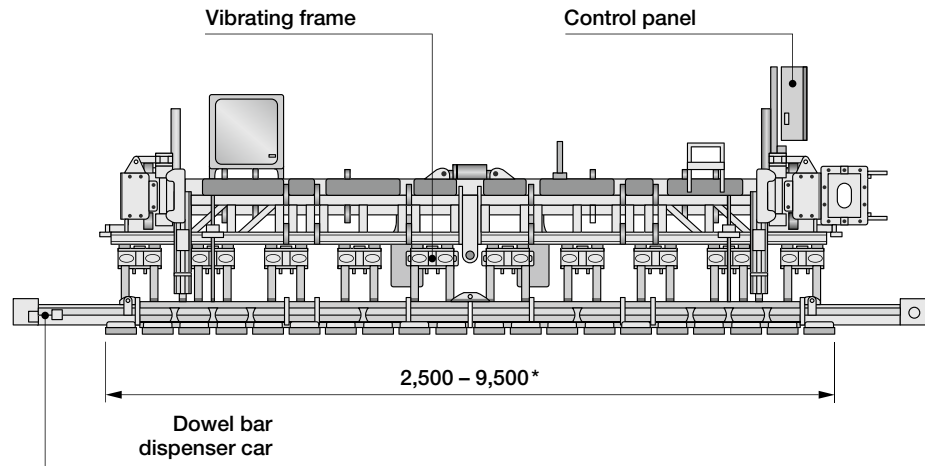


Side tie bar inserter not included in illustration

\*1 = Applies to standard longitudinal joint tie bar inserter (non-pivotable)

### Dowel bar inserter (DBI) (optional equipment feature)

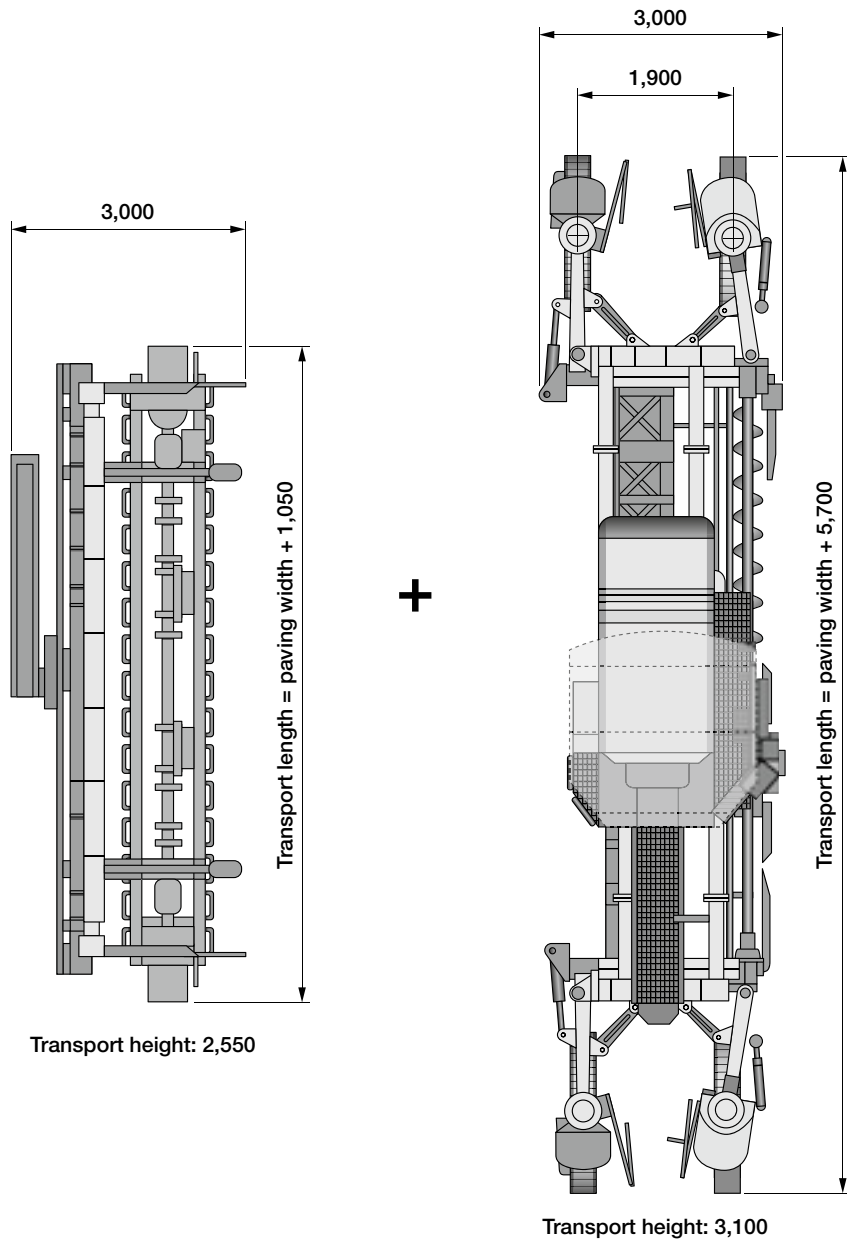
Dimensions in mm



<sup>\*2</sup> = Applicable for the range of dowel bar dimensions specified; for other dimensions, please consult factory; the dowel bar inserters will be customized in accordance with pre-selected customer requirements

**Transport situation: slipform paver SP 94/SP 94i equipped with spreading auger or spreading plough, slab paving mould type 910 m/910 wm, dowel bar inserter (DBI), oscillating beam and super smoother**  
**Dimensions in mm**

**Option A\*1:**



**Transport unit comprising\*2:**

- Dowel bar inserter (DBI)
- Oscillating beam
- Super smoother

**Transport unit comprising\*2:**

- Machine tractor
- Slab paving mould
- Concrete spreading unit

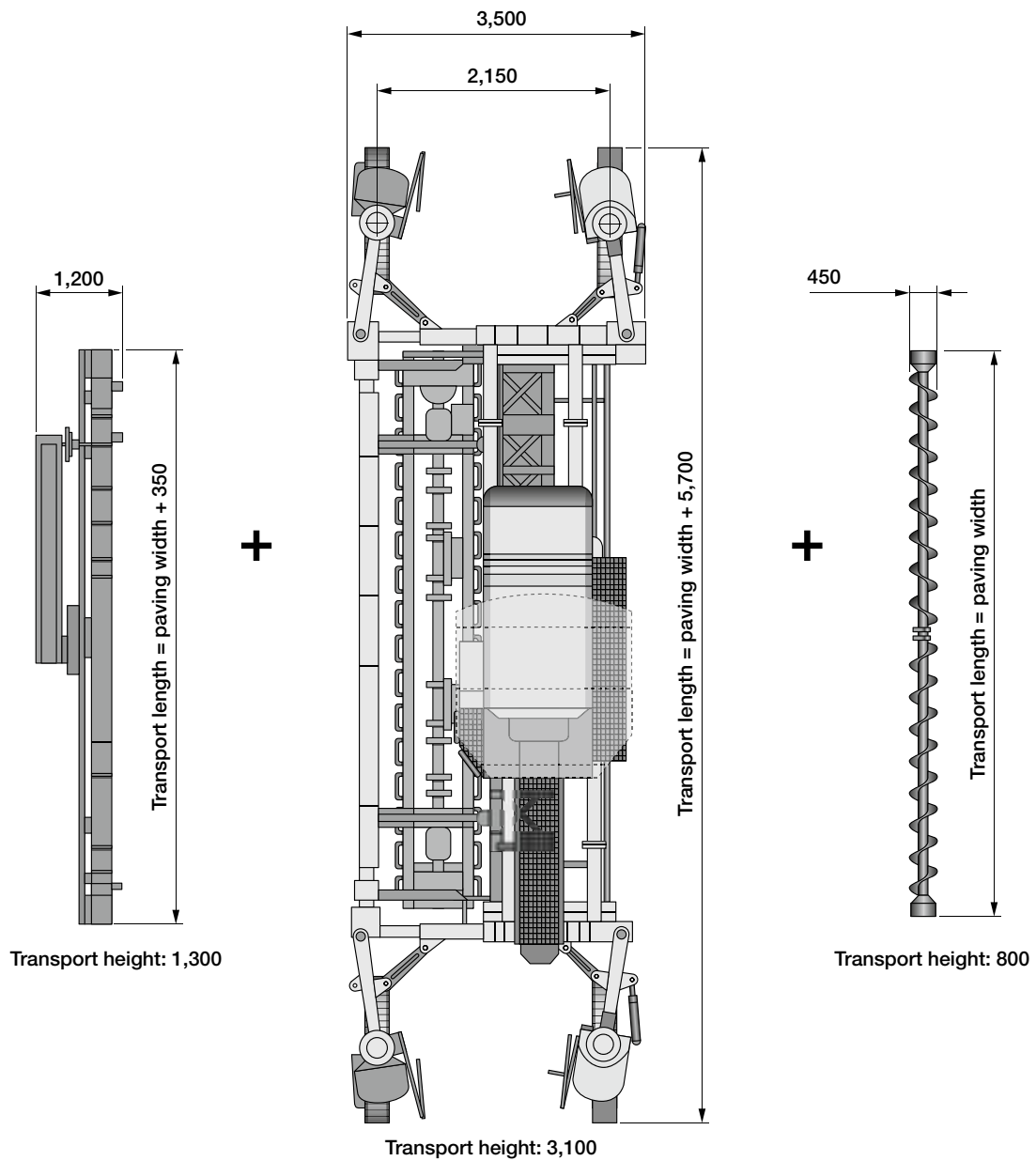
\*1 = Longitudinal joint tie bar inserter not included (additional transport unit)

\*2 = Removal of additional components may be necessary depending on machine configuration



Transport situation: slipform paver SP 94/SP 94i equipped with spreading auger or spreading plough, slab paving mould type 910 m/910 wm, dowel bar inserter (DBI) (3,500 mm), oscillating beam and super smoother  
 Dimensions in mm

Option B \*1:



Transport unit comprising:  
 - Oscillating beam  
 - Super smoother

Transport unit comprising \*2:  
 - Machine tractor  
 - Slab paving mould  
 - Dowel bar inserter (DBI)

Transport unit comprising:  
 - Concrete spreading unit

Standard equipment features SP 94 and SP 94i	
<b>Machine frame</b>	
Frame for paving widths from 3.50 m to 6.25 m (2.75 m telescoping mechanically)	■
Hydraulic clamping device for a perfect fit of the telescopic segments in the machine frame	■
<b>Operator's platform</b>	
User-friendly control panel with practical switches	■
Digital, intuitive screen displaying all major operation parameters and enabling entry of job data	■
Anti-vandalism control panel cover	■
Main control panel removable from machine	■
<b>Levelling</b>	
Four level sensors	■
Two steering sensors	■
High-precision automatic levelling system	■
Level and steering sensors adjustable in both height and range	■
<b>Vibration</b>	
Six hydraulic vibrators, curved	■
Twelve hydraulic connectors (separately adjustable)	■
<b>Chassis and height adjustment</b>	
B2 track units with 300 mm wide track pads	■
Level control with high-precision proportional valve technology	■
Track units fitted with highly wear-resistant polyurethane track pads	■
<b>Concrete paving equipment</b>	
Slab paving mould type 910 m for paving widths from 2.00 m to 3.50 m	■
Single-piece hydraulic sideplates	■
Trailing and deep paving mould for 260 mm thick concrete slabs	■
<b>Machine control</b>	
State-of-the-art control system of the latest generation governing all machine functions and enabling integration of customer-specific comfort features	■
Comfort feature for quick-starting all necessary paving functions following stand-by position	■
Integrated engine controller for optimum engine control	■
Switching feature to quickly change from transverse to longitudinal travel	■
<b>Engine</b>	
Sound-insulated engine mounted in anti-vibration rubber supports	■
Highly effective triple-circuit water cooler for cooling water, hydraulic oil and charge air	■
ECO mode: engine management in line with requirements to ensure reduced diesel consumption and low noise emission levels	■
<b>Miscellaneous</b>	
Lighting package including 4 halogen working lights (24 V)	■
Comprehensive tool kit	■
Loading and lashing lugs	■
CE mark	■

■ = Standard equipment feature  
□ = Optional equipment feature

Optional equipment features SP 94 and SP 94i	
<b>Machine frame</b>	
Hydraulically telescoping machine frame	<input type="checkbox"/>
Main frame extension elements for paving widths of up to 9.50 m	<input type="checkbox"/>
Special painting	<input type="checkbox"/>
<b>Operator's platform</b>	
Electro-hydraulically operated protective canopy	<input type="checkbox"/>
Walk-through operator's platform	<input type="checkbox"/>
<b>Levelling</b>	
3D kit for 3D controller support including integrated standard interface	<input type="checkbox"/>
Slab tracer for sensing along reference surfaces	<input type="checkbox"/>
Stakes and wire kit	<input type="checkbox"/>
Tensioning winch	<input type="checkbox"/>
<b>Vibration</b>	
Additional connectors for hydraulic vibration, increasing the total number of connectors to 18 or 24	<input type="checkbox"/>
Electric vibration including 60-kVA high-frequency generator and 12, 20 or 28 connectors	<input type="checkbox"/>
Electric vibrators, curved (max. 28)	<input type="checkbox"/>
Hydraulic vibrators, curved (max. 24)	<input type="checkbox"/>
<b>Chassis and height adjustment</b>	
B4 track units with 350 mm wide track pads	<input type="checkbox"/>
<b>Concrete paving equipment</b>	
Single-drive spreading auger, allowing extension to paving widths of up to 6.00 m	<input type="checkbox"/>
Dual-drive spreading auger, allowing extension to paving widths of up to 9.50 m	<input type="checkbox"/>
Spreading plough, allowing extension to paving widths of up to 9.50 m	<input type="checkbox"/>
Extension elements for slab paving mould type 910 m to paving widths of up to 9.50 m (excluding wearing pan, excluding central crown)	<input type="checkbox"/>
Extension elements for slab paving mould type 910 mm to paving widths of up to 9.50 m (including wearing pan, including central crown as an optional feature)	<input type="checkbox"/>
Two-piece hydraulic sideplates for easy production of day joints	<input type="checkbox"/>
Dowel bar inserter (DBI), allowing extension to paving widths of up to 9.50 m (including central crown as an optional feature)	<input type="checkbox"/>
Oscillating beam, allowing extension to paving widths of up to 9.50 m (including central crown as an optional feature)	<input type="checkbox"/>
Super smoother, allowing extension to paving widths of up to 9.50 m	<input type="checkbox"/>
Longitudinal joint tie bar inserter	<input type="checkbox"/>
Side tie bar inserter	<input type="checkbox"/>
Mechanically or hydraulically driven hoisting crane	<input type="checkbox"/>
Trailing and deep paving mould for different slab thicknesses	<input type="checkbox"/>
<b>Miscellaneous</b>	
Cross slope sensor allowing operation along a stringline on one side at paving widths of up to 4.00 m	<input type="checkbox"/>
Self-levelling – additional longitudinal tilt control to prevent torsional movements of the machine frame when in transport mode	<input type="checkbox"/>
Paving Plus: pivoting angle indicator, speed indicator, fully digital Ackermann steering system for precise steering manoeuvres, convenient negotiation of obstacles	<input type="checkbox"/>
High-pressure cleaning system including 500-l water tank	<input type="checkbox"/>
Additional water tank, 500 l	<input type="checkbox"/>
Operation of slipform paver with biodegradable hydraulic oil	<input type="checkbox"/>
Lighting package including 8 LED spotlights (24 V)	<input type="checkbox"/>
Additional generator for lighting balloons (110 V or 220 V)	<input type="checkbox"/>
Self-loading option for dowel bar inserter (DBI), including hydraulic module as an optional feature	<input type="checkbox"/>
Additional water pump (24 V)	<input type="checkbox"/>
Additional control console for convenient adjustment of track units in one-man operation	<input type="checkbox"/>
Rotating beacon and flashlight	<input type="checkbox"/>
Commissioning of machine on site	<input type="checkbox"/>

- = Standard equipment feature  
 = Optional equipment feature



Wirtgen GmbH  
Reinhard-Wirtgen-Strasse 2 · 53578 Windhagen · Germany  
Phone: +49 (0) 26 45/131-0 · Fax: +49 (0) 26 45/131-392  
Internet: [www.wirtgen.com](http://www.wirtgen.com) · E-Mail: [info@wirtgen.com](mailto:info@wirtgen.com)