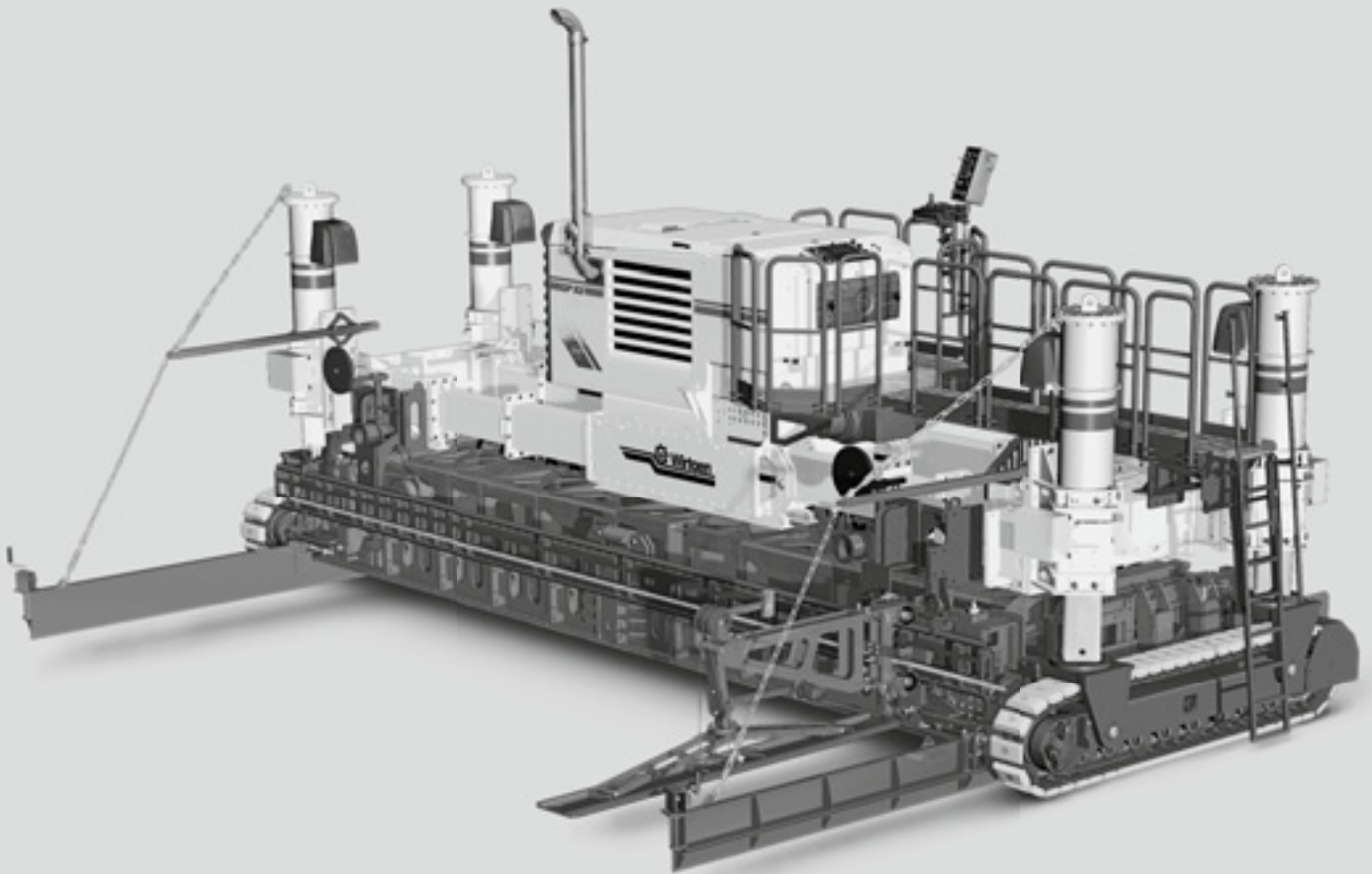




Technical specification

Slipform Paver SP 92 / SP 92i



Technical specification

Slipform paver	SP 92	SP 92i
Vibrators and circuits		
Hydraulic vibration	12 connectors (optional: 18 or 24 connectors)	
Electric vibration	12 connectors (optional: 20 or 28 connectors)	
Hydraulically driven vibrators	curved (D66)	
Electrically driven vibrators	curved (D76)	
Engine		
Engine manufacturer	Cummins	Cummins
Type	QSC8.3 C-300	QSL9 C-310
Cooling	water	water
Number of cylinders	6	6
Rated power at 2,100 min ⁻¹	224 kW/300 H/305 PS	231 kW/310 HP/314 PS
Displacement	8,300 cm ³	8,900 cm ³
Fuel consumption, full load	61.8 l/h	62.5 l/h
Fuel consumption, ² / ₃ load	41.2 l/h	41.7 l/h
Exhaust emission standards	EC Stage 3a/US Tier 3	EC Stage 4/US Tier 4f
Electrical system		
Supply voltage	24 V DC	
Electric vibration	110 V AC 3~/200 Hz	
Tank capacities		
Fuel tank	500 l	500 l
Adblue [®] /DEF tank	–	57 l
Hydraulic oil tank, electric vibration	250 l	250 l
Hydraulic oil tank, hydraulic vibration	380 l	380 l
Water tank	800 l	800 l
Driving properties		
Paving speed	0 to 5 m/min	
Travel speed in travel gear	0 to 20 m/min	

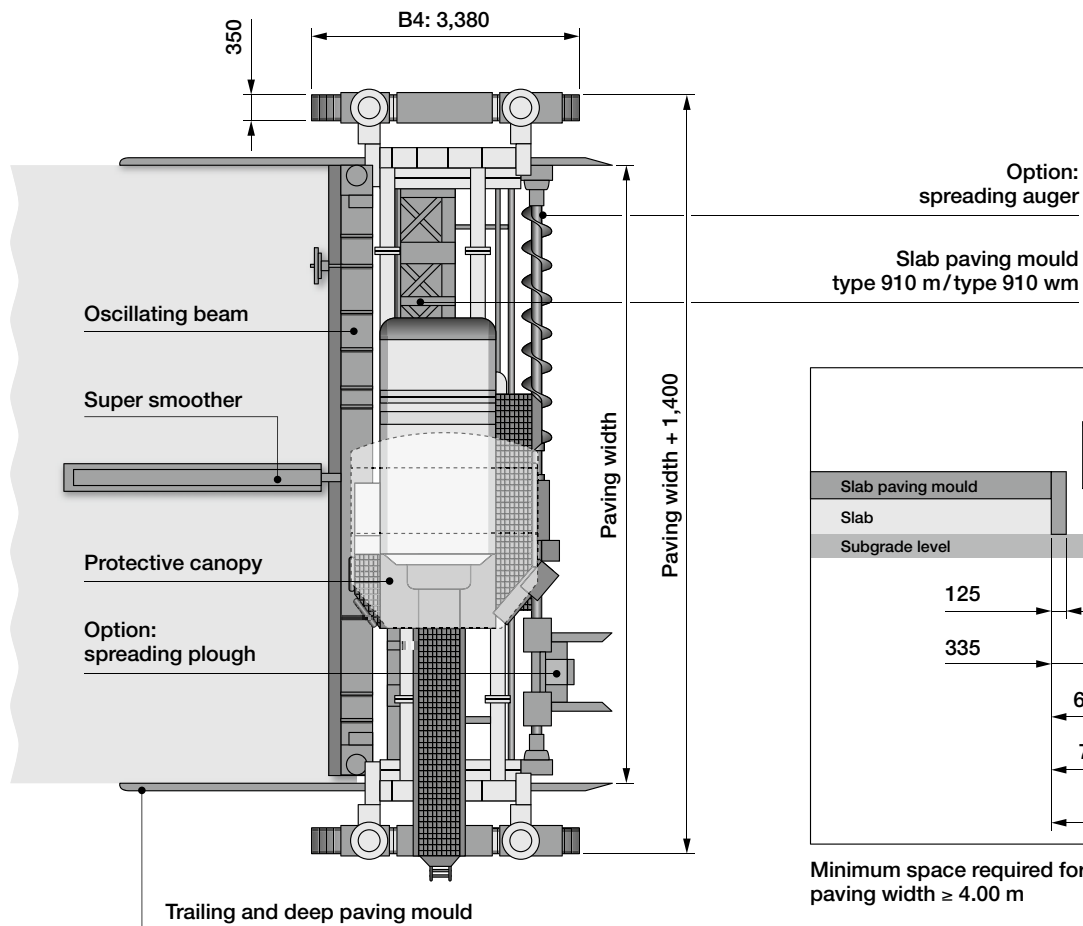
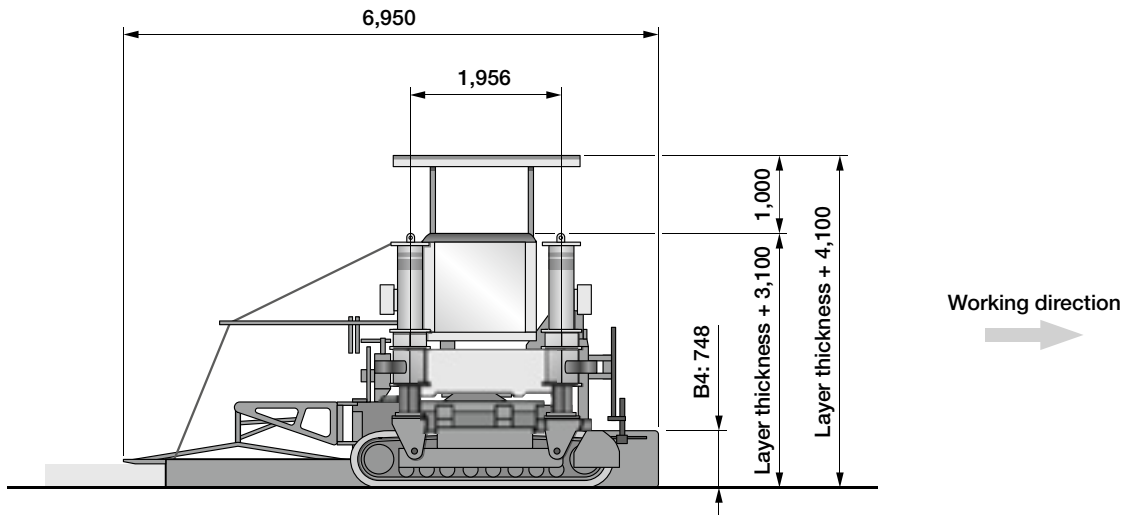
Slipform paver	SP 92	SP 92i
Track units		
Number	2	
Type B4: dimensions (L x W x H)	3,380 x 350 x 748 mm	
Height adjustment		
Hydraulic	1,000 mm	
Mechanical (hole pattern)	470 mm	
Range of applications		
Slab paving application without central crown	paving width: 2.00 to 9.50 m ^{*1} layer thickness: up to 450 mm ^{*1}	
Slab paving application with central crown	paving width: 3.50 to 9.50 m ^{*1} layer thickness: up to 450 mm ^{*1}	
Concrete spreading		
Spreading auger	modular extension to up to 9.50 m	
Spreading plough	modular extension to up to 9.50 m	
Slab paving equipment		
Slab paving mould type 910 m (excluding wearing pan, excluding crown function)	modular extension to up to 9.50 m	
Slab paving mould type 910 wm (including wearing pan, including or excluding crown function)	modular extension to up to 9.50 m	
Oscillating beam	modular extension to up to 9.50 m	
Super smoother	modular extension to up to 9.50 m	
Central crown		
Variable adjustment range	for paving widths of 2.00 to 8.00 m: max. 3% ^{*2} for paving widths of 8.00 to 9.50 m: max. 2% ^{*2}	
Transport dimensions (L x W x H)		
Paving width 4.00 m: Machine including slab paving mould type 910 m/910 wm, including spreading plough, oscillating beam and super smoother	5,750 x 3,500 x 3,100 mm	
Paving width 9.50 m: Machine including slab paving mould type 910 m/910 wm, including spreading plough, oscillating beam and super smoother	11,250 x 3,500 x 3,100 mm	
Machine weights		
Operating weight CE (including slab paving mould type 910 m), 3.50 m	24,380 kg ^{*3}	
Machine weight	24,000 - 45,000 kg ^{*3}	

*1 = Please consult factory for special paving widths, layer thicknesses and optional equipment features

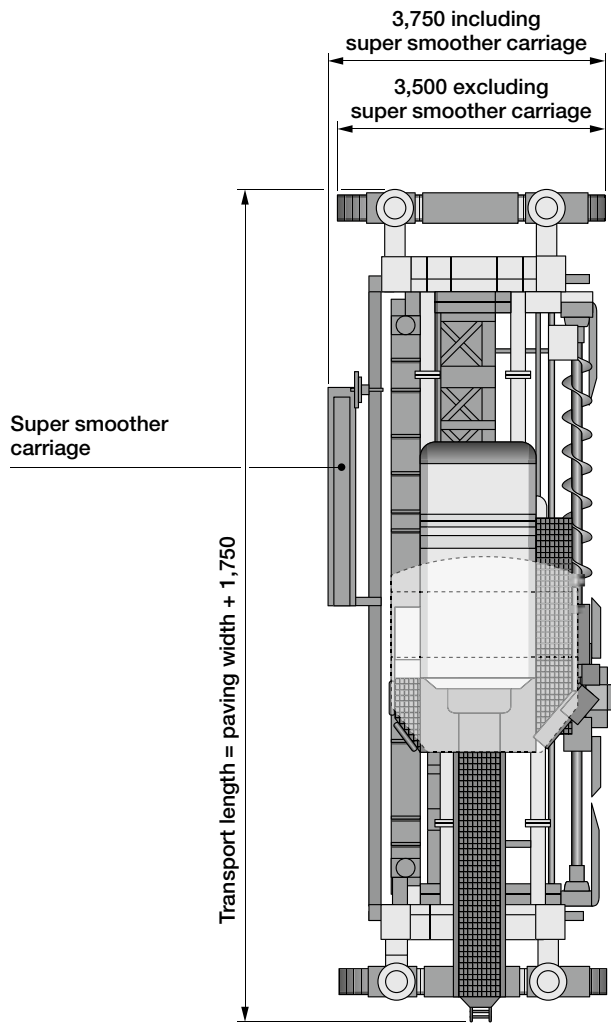
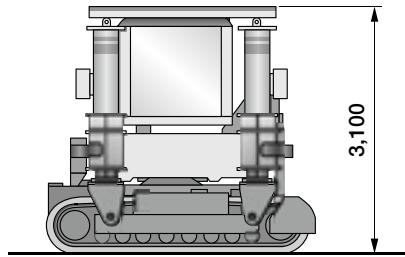
*2 = Values within standard transport height; please consult factory for special dimensions

*3 = Weights depend on the machine's range of equipment and paving width

Paving situation: slipform paver SP 92/SP 92i equipped with spreading auger or spreading plough, slab paving mould type 910 m/910 wm, oscillating beam and super smoother
 Dimensions in mm



Transport situation: slipform paver SP 92/SP 92i equipped with spreading auger or spreading plough, slab paving mould type 910 m/910 wm, oscillating beam and super smoother
Dimensions in mm



To be removed:
- Trailing and deep paving mould

Standard equipment features SP 92 and SP 92i	
Machine frame	
Frame for paving widths from 3.50 m to 6.25 m (2.75 m telescoping mechanically)	■
Hydraulic clamping device for a perfect fit of the telescopic segments in the machine frame	■
Operator's platform	
User-friendly control panel with practical switches	■
Digital, intuitive screen displaying all major operation parameters and enabling entry of job data	■
Anti-vandalism control panel cover	■
Main control panel removable from machine	■
Levelling	
Four level sensors	■
Two steering sensors	■
High-precision automatic levelling system	■
Level and steering sensors adjustable in both height and range	■
Vibration	
Six hydraulic vibrators, curved	■
Twelve hydraulic connectors (separately adjustable)	■
Chassis and height adjustment	
B4 track units with 350 mm wide track pads	■
Level control with high-precision proportional valve technology	■
Track units fitted with highly wear-resistant polyurethane track pads	■
Concrete paving equipment	
Slab paving mould type 910 m for paving widths from 2.00 m to 3.50 m	■
Single-piece hydraulic sideplates	■
Trailing and deep paving mould for 260 mm thick concrete slabs	■
Machine control	
State-of-the-art control system of the latest generation governing all machine functions and enabling integration of customer-specific comfort features	■
Comfort feature for quick-starting all necessary paving functions following stand-by position	■
Integrated engine controller for optimum engine control	■
Switching feature to quickly change from transverse to longitudinal travel	■
Engine	
Sound-insulated engine mounted in anti-vibration rubber supports	■
Highly effective triple-circuit water cooler for engine, hydraulic oil and charge air	■
ECO mode: engine management in line with requirements to ensure reduced diesel consumption and low noise emission levels	■
Miscellaneous	
Lighting package including 4 halogen working lights (24 V)	■
Comprehensive tool kit	■
Loading and lashing lugs	■
CE mark	■

■ = Standard equipment feature
□ = Optional equipment feature

Optional equipment features SP 92 and SP 92i

Machine frame

Hydraulically telescoping machine frame	<input type="checkbox"/>
Main frame extension elements for paving widths of up to 9.50 m	<input type="checkbox"/>
Special painting	<input type="checkbox"/>

Operator's platform

Electro-hydraulically operated protective canopy	<input type="checkbox"/>
Walk-through operator's platform	<input type="checkbox"/>

Levelling

3D kit for 3D controller support including certified standard interface	<input type="checkbox"/>
Slab tracer for sensing along reference surfaces	<input type="checkbox"/>
Stakes and wire kit	<input type="checkbox"/>
Tensioning winch	<input type="checkbox"/>

Vibration

Additional connectors for hydraulic vibration, increasing the total number of connectors to 18 or 24	<input type="checkbox"/>
Electric vibration including 60-kVA high-frequency generator and 12, 20 or 28 connectors	<input type="checkbox"/>
Electric vibrators, curved (max. 28)	<input type="checkbox"/>
Hydraulic vibrators, curved (max. 24)	<input type="checkbox"/>

Concrete paving equipment

Single-drive spreading auger, allowing extension to paving widths of up to 6.00 m	<input type="checkbox"/>
Dual-drive spreading auger, allowing extension to paving widths of up to 9.50 m	<input type="checkbox"/>
Spreading plough, allowing extension to paving widths of up to 9.50 m	<input type="checkbox"/>
Extension elements for slab paving mould type 910 m to paving widths of up to 9.50 m (excluding wearing pan, excluding central crown)	<input type="checkbox"/>
Extension elements for slab paving mould type 910 mm to paving widths of up to 9.50 m (including wearing pan, including central crown as an optional feature)	<input type="checkbox"/>
Two-piece hydraulic sideplates for easy production of day joints	<input type="checkbox"/>
Oscillating beam, allowing extension to paving widths of up to 9.50 m (including central crown as an optional feature)	<input type="checkbox"/>
Super smoother, allowing extension to paving widths of up to 9.50 m	<input type="checkbox"/>
Mechanically or hydraulically driven hoisting crane	<input type="checkbox"/>
Trailing and deep paving mould for different slab thicknesses	<input type="checkbox"/>

Miscellaneous

Cross slope sensor allowing operation along a stringline on one side at paving widths of up to 4.00 m	<input type="checkbox"/>
Self-levelling – additional longitudinal tilt control to prevent torsional movements of the machine frame when in transport mode	<input type="checkbox"/>
High-pressure cleaning system including 800-l water tank	<input type="checkbox"/>
Operation of slipform paver with biodegradable hydraulic oil	<input type="checkbox"/>
Lighting package including 8 LED spotlights (24 V)	<input type="checkbox"/>
Additional generator for lighting balloons (110 V or 220 V)	<input type="checkbox"/>
Additional water pump (24 V)	<input type="checkbox"/>
Rotating beacon and flashlight	<input type="checkbox"/>
Commissioning of machine on site	<input type="checkbox"/>

- = Standard equipment feature
 = Optional equipment feature



Wirtgen GmbH
Reinhard-Wirtgen-Strasse 2 · 53578 Windhagen · Germany
Phone: +49 (0) 26 45/131-0 · Fax: +49 (0) 26 45/131-392
Internet: www.wirtgen.com · E-Mail: info@wirtgen.com