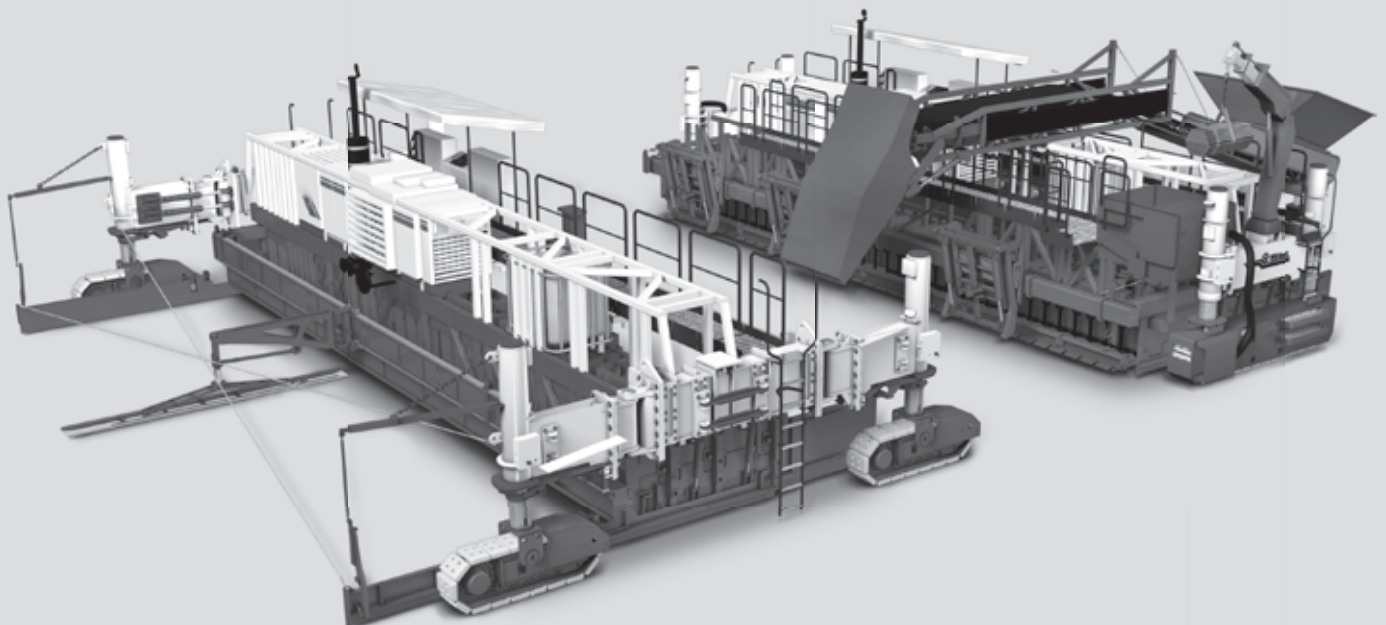




Technical specification

Slipform Paver SP 1500 / SP 1500 L



Technical specification

	Slipform paver SP 1500
Range of applications	Slab paving
Concrete spreading	
Spreading plough for working width	5,000–15,250 mm
Slab paving equipment for bottom-layer concrete	
Working width	5,000–15,250 mm ^{*1}
Paving thickness	0–400 mm ^{*1}
Transverse camber adjustment	0–3%
Dowel bar inserter	
Working width	5,000–15,250 mm ^{*2}
Diameter of dowel bars	25–40 mm ^{*2}
Dowel bar length	450–600 mm ^{*2}
Longitudinal joint tie bar inserter	
Diameter of tie bars	20–40 mm ^{*3}
Tie bar length	400–1,200 mm ^{*3}
Vibration for bottom-layer concrete	
Connectors for electric vibration	16, can be extended to 48 (option)
Number of electric vibrators, curved	16, can be extended to 48 (option)
High-frequency generator	80 kVA
Slab paving equipment for top-layer concrete	
Working width	5,000–15,250 mm ^{*1}
Paving thickness	0–500 mm ^{*1}
Transverse camber adjustment	0–3%
Oscillating beam	
Working width	5,000–15,250 mm
Super smoother	
Working width	5,000–15,250 mm
Side tie bar inserter	
Diameter of tie bars	20–40 mm ^{*3}
Tie bar length	400–800 mm ^{*3}
Vibration for top-layer concrete	
Connectors for electric vibration	16, can be extended to 32 (option)
Number of electric T-vibrators	10, can be extended to 32 (option)
High-frequency generator	80 kVA

^{*1} = Please consult factory for different offset geometries or special applications

^{*2} = Applicable for the range of dowel bar dimensions specified; for any other dimensions, please consult factory; the dowel bar inserters will be customized in accordance with pre-selected customer requirements

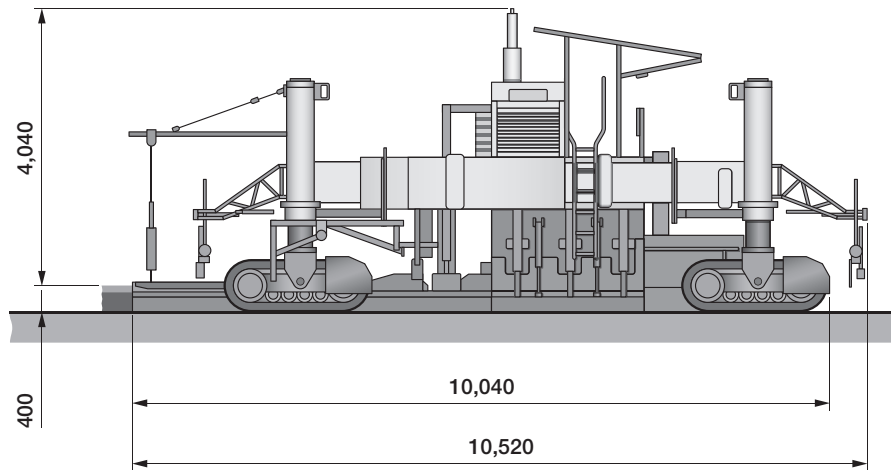
^{*3} = The range of tie bar dimensions specified above can be covered; for any other dimensions, please consult factory; the longitudinal joint tie bar and side tie bar inserters will be customized in accordance with pre-selected customer requirements

Slipform paver SP 1500	
Engine	
Engine manufacturer	Caterpillar
Type	C11 ATAAC
Cooling	Water
Number of cylinders	6
Rated power at 2,100 min ⁻¹	287 kW/385 HP/390 PS
Displacement	11,100 cm ³
Fuel consumption, full load	78.7 l/h
Fuel consumption in field mix	35.4 l/h
Emission standards	EC Stage 3a/US Tier 3
Electrical system	24 V
Filling capacities	
Fuel tank	880 l
Hydraulic fluid tank	420 l
Water tank	870 l
Driving characteristics	
Operating speed	0–6 m/min
Travel speed	0–25 m/min
Track units	
Number	4
Steering angle	±30°
Dimensions (L x W x H)	2,100 x 350 x 715 mm
Height adjustment of machine	
Max. hydraulic height adjustment	950 mm
Transport dimensions (L x W x H)	
Machine for bottom-layer concrete, working width 15,250 mm	21,500 mm x 3,800 mm x 3,100 mm
Machine for top-layer concrete, working width 15,250 mm	21,500 mm x 3,600 mm x 3,100 mm
Machine weights ^{*4}	
Operating weight, CE ^{*5} of basic machine including options for bottom-layer concrete, working width 15,250 mm	72,080 kg
Operating weight, CE ^{*5} of basic machine including options for top-layer concrete, working width 15,250 mm	60,520 kg
Transport weight of basic machine including options for bottom-layer concrete, working width 15,250 mm	64,560 kg
Transport weight of basic machine including options for top-layer concrete, working width 15,250 mm	57,620 kg

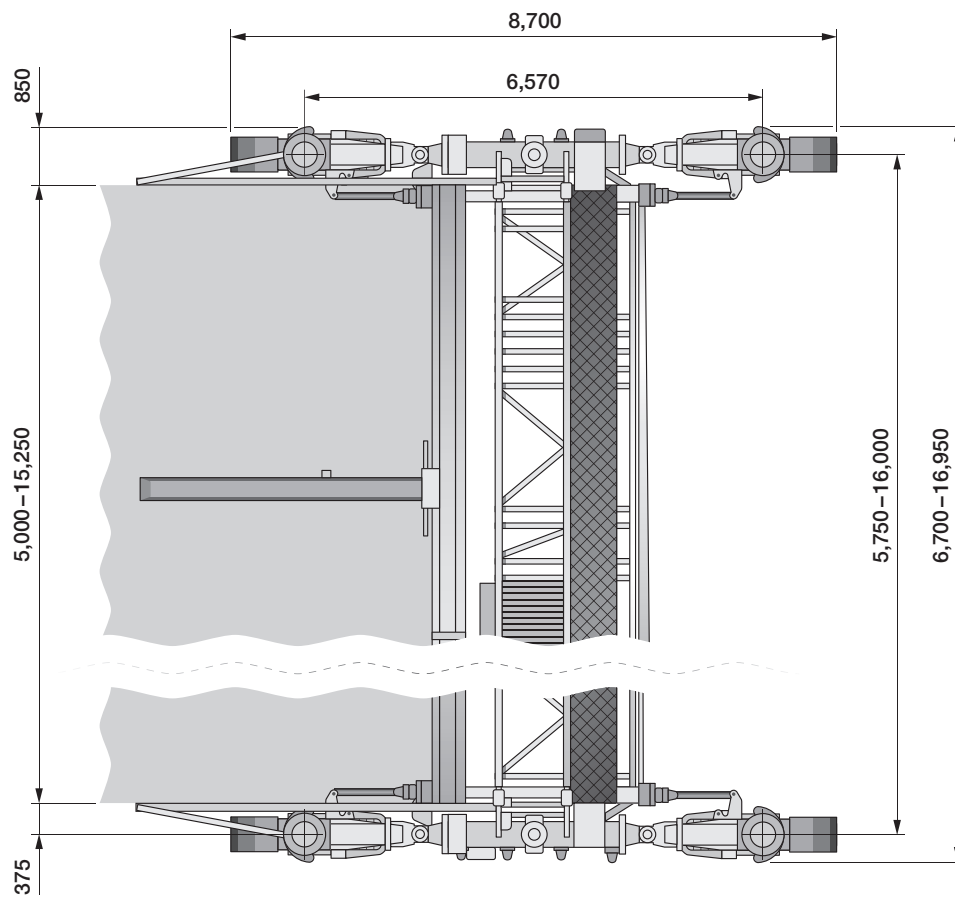
^{*4} = Weights depend on the machine's range of equipment and working width

^{*5} = Weight of machine with half-full water tank, half-full fuel tank, driver (75 kg) and on-board tools

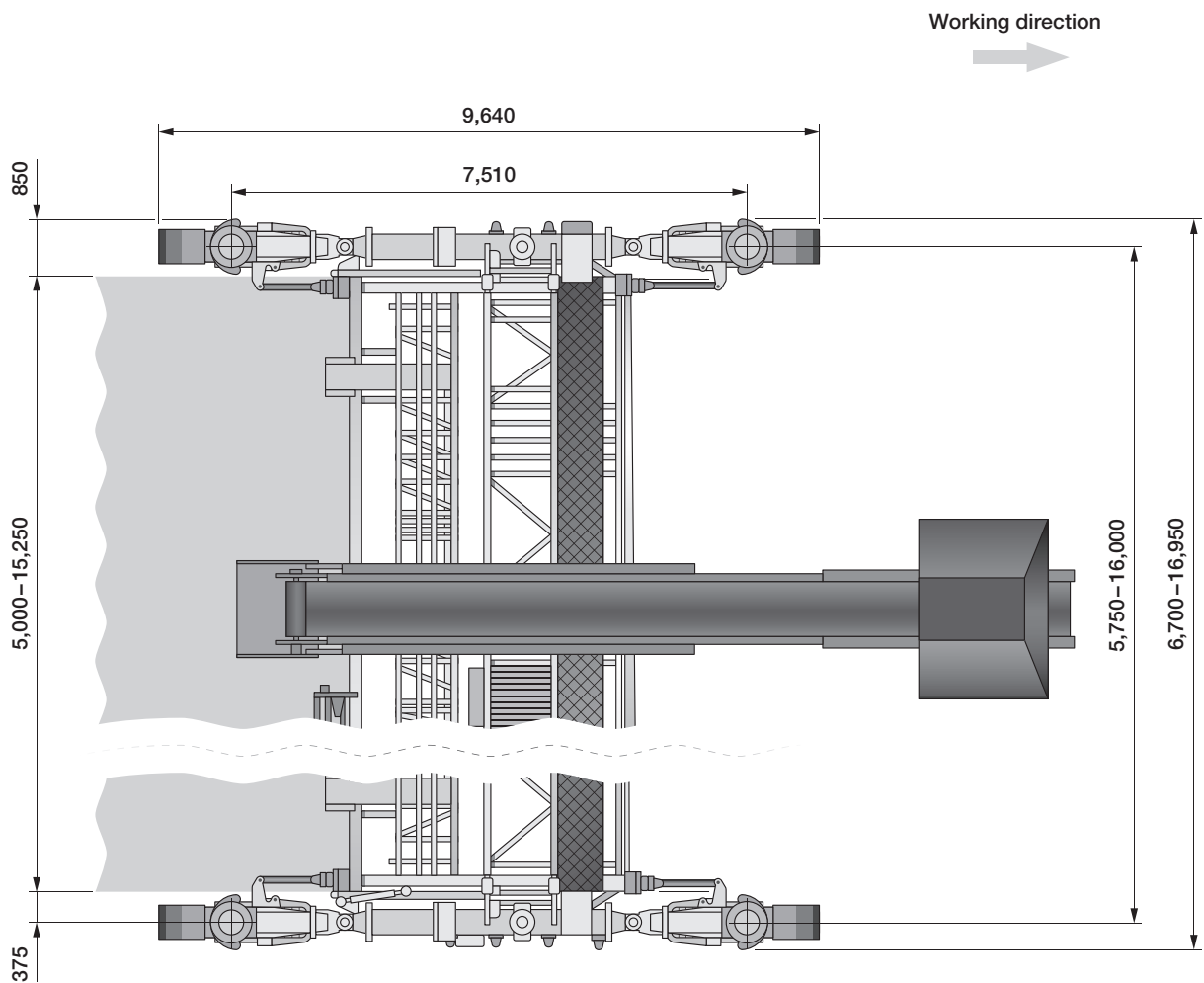
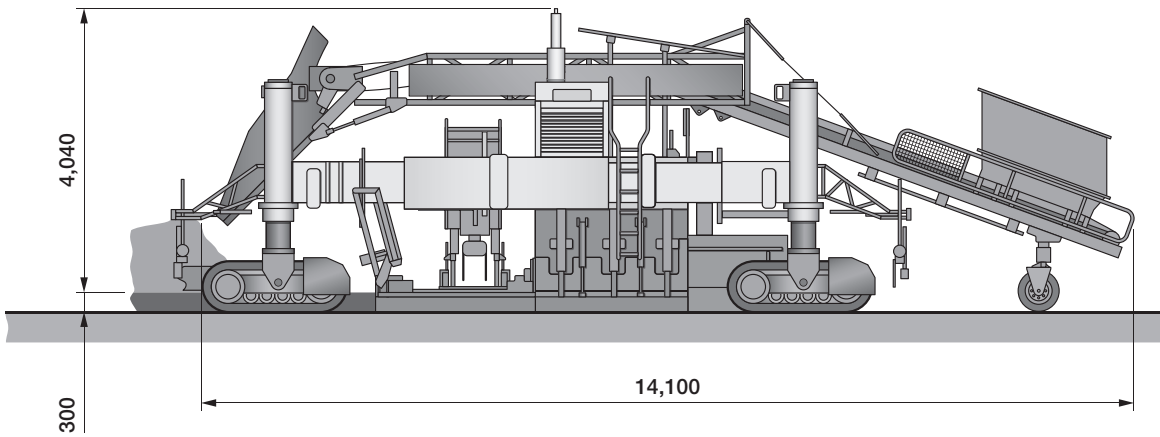
Slipform paver SP 1500, concrete paving equipment for top-layer concrete, 4-track design
Dimensions in mm



Working direction



Slipform paver SP 1500, concrete paving equipment for bottom-layer concrete, 4-track design
Dimensions in mm



Technical specification

	Slipform paver SP 1500 L
Range of applications	Slab paving
Concrete spreading	
Spreading plough for working width	5,000–15,250 mm
Slab paving equipment for bottom-layer concrete	
Working width	5,000–15,250 mm ^{*1}
Paving thickness	0–400 mm ^{*1}
Transverse camber adjustment	0–3%
Dowel bar inserter	
Working width	5,000–15,250 mm ^{*2}
Diameter of dowel bars	20–40 mm ^{*2}
Dowel bar length	450–600 mm ^{*2}
Longitudinal joint tie bar inserter	
Diameter of tie bars	20–40 mm ^{*3}
Tie bar length	400–1,200 mm ^{*3}
Vibration for bottom-layer concrete	
Connectors for electric vibration	16, can be extended to 48 (option)
Number of electric vibrators, curved	16, can be extended to 48 (option)
High-frequency generator	80 kVA
Slab paving equipment for top-layer concrete	
Working width	5,000–15,250 mm ^{*1}
Paving thickness	0–500 mm ^{*1}
Transverse camber adjustment	0–3%
Oscillating beam	
Working width	5,000–15,250 mm
Super smoother	
Working width	5,000–15,250 mm
Side tie bar inserter	
Diameter of tie bars	20–40 mm ^{*3}
Tie bar length	400–800 mm ^{*3}
Vibration for top-layer concrete	
Connectors for electric vibration	16, can be extended to 32 (option)
Number of electric T-vibrators	10, can be extended to 32 (option)
High-frequency generator	80 kVA

^{*1} = Please consult factory for different offset geometries or special applications

^{*2} = Applicable for the range of dowel bar dimensions specified; for any other dimensions, please consult factory; the dowel bar inserters will be customized in accordance with pre-selected customer requirements

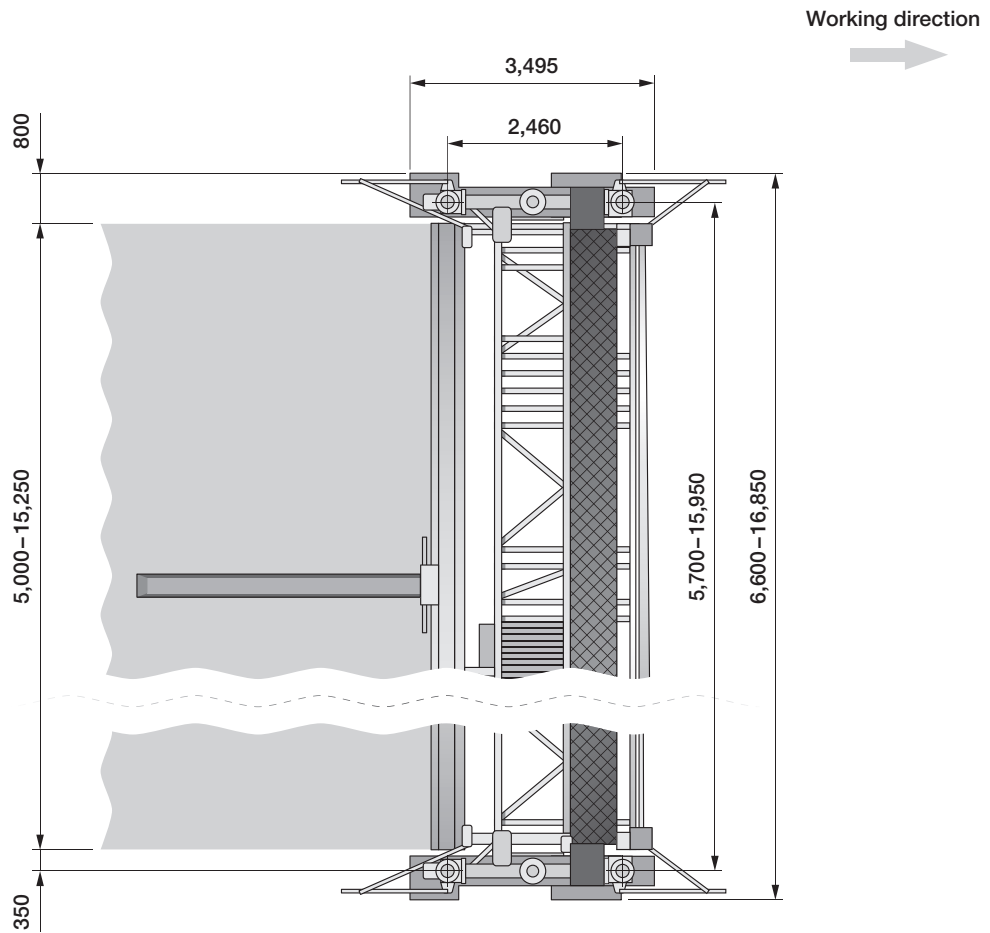
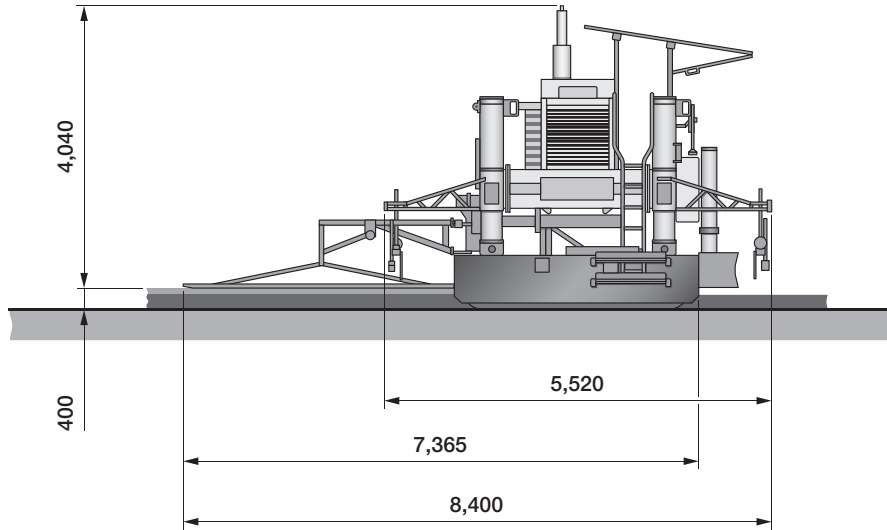
^{*3} = The range of tie bar dimensions specified above can be covered; for any other dimensions, please consult factory; the longitudinal joint tie bar and side tie bar inserters will be customized in accordance with pre-selected customer requirements

Slipform paver SP 1500 L	
Engine	
Engine manufacturer	Caterpillar
Type	C11 ATAAC
Cooling	Water
Number of cylinders	6
Rated power at 2,100 min ⁻¹	287 kW/385 HP/390 PS
Displacement	11,100 cm ³
Fuel consumption, full load	78.7 l/h
Fuel consumption in field mix	52.5 l/h
Emission standards	EC Stage 3a/US Tier 3
Electrical system	24 V
Filling capacities	
Fuel tank	880 l
Hydraulic fluid tank	420 l
Water tank	870 l
Driving characteristics	
Operating speed	0–7.5 m/min
Travel speed	0–22 m/min
Track units	
Number	2
Steering system	Tank-type steering
Dimensions (L x W x H)	3,350 x 300 x 695 mm
Height adjustment of machine	
Max. hydraulic height adjustment	950 mm
Transport dimensions (L x W x H)	
Machine for bottom-layer concrete, working width 15,250 mm	16,850 mm x 3,800 mm x 3,100 mm
Machine for top-layer concrete, working width 15,250 mm	16,850 mm x 3,600 mm x 3,100 mm
Machine weights ^{*4}	
Operating weight, CE ^{*5} of basic machine including options for bottom-layer concrete, working width 15,250 mm	59,580 kg
Operating weight, CE ^{*5} of basic machine including options for top-layer concrete, working width 15,250 mm	48,020 kg
Transport weight of basic machine including options for bottom-layer concrete, working width 15,250 mm	52,060 kg
Transport weight of basic machine including options for top-layer concrete, working width 15,250 mm	45,120 kg

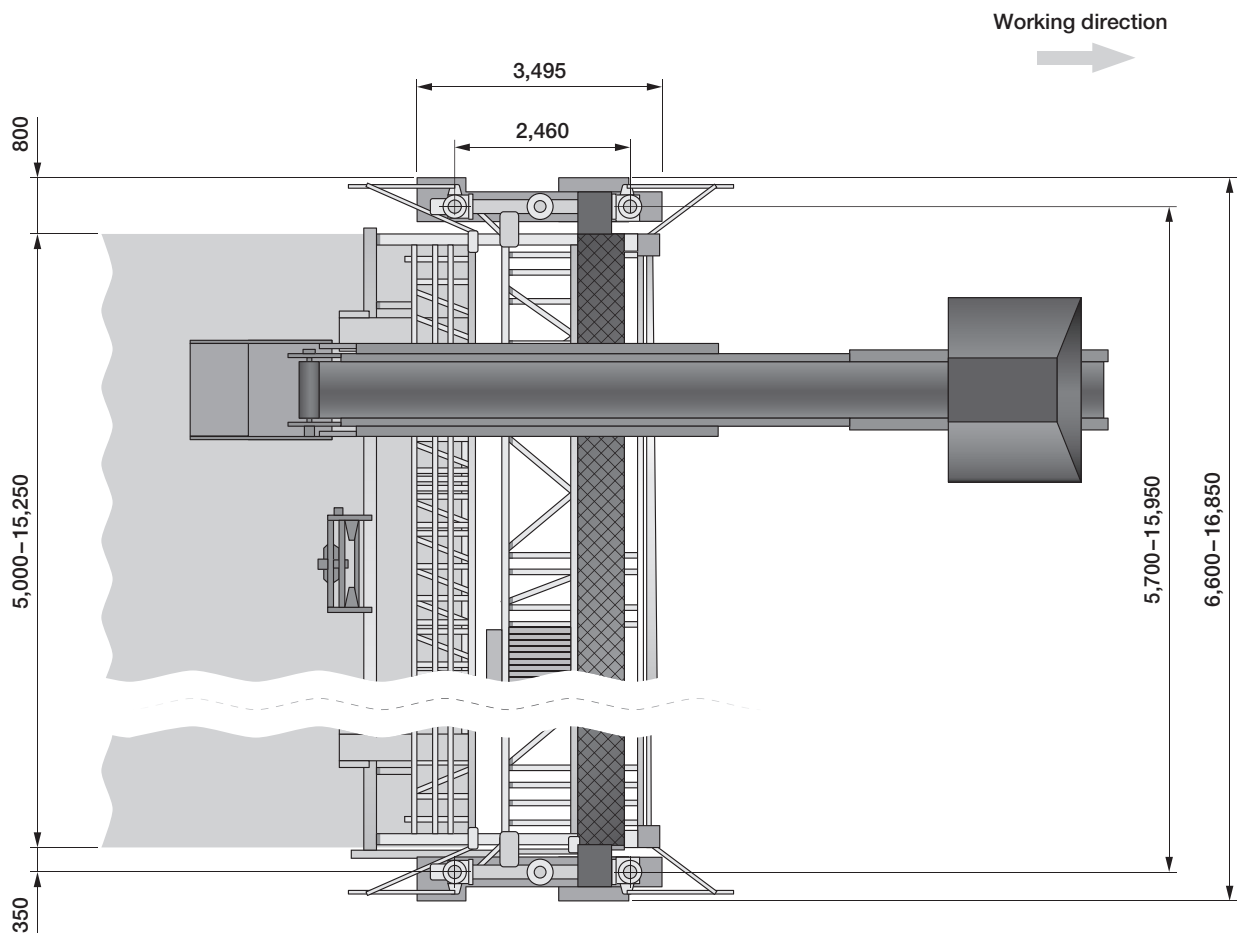
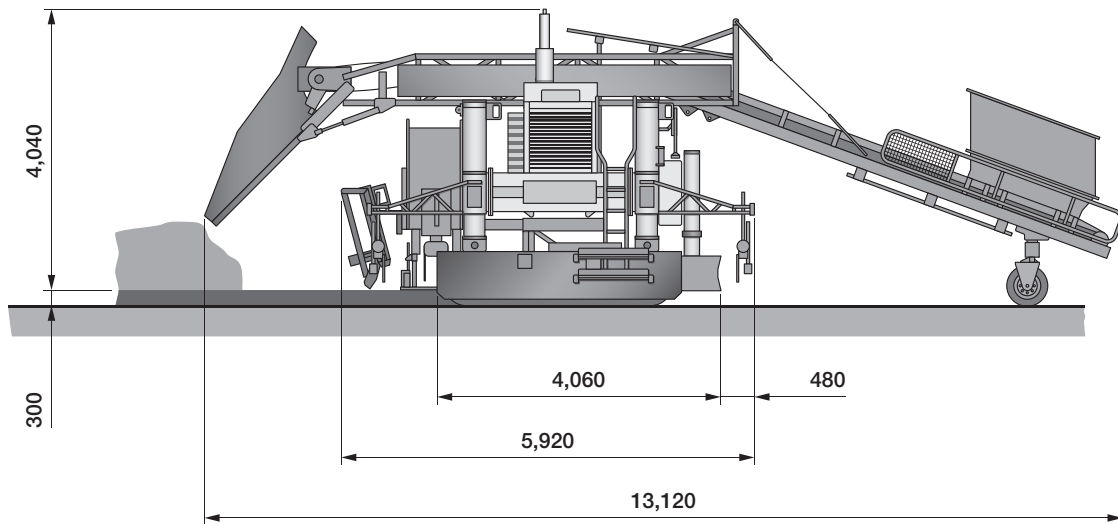
^{*4} = Weights depend on the machine's range of equipment and working width

^{*5} = Weight of machine with half-full water tank, half-full fuel tank, driver (75 kg) and on-board tools

Slipform paver SP 1500 L, concrete paving equipment for top-layer concrete, 2-track design
Dimensions in mm



Slipform paver SP 1500 L, concrete paving equipment for bottom-layer concrete, 2-track design
 Dimensions in mm



Equipment of slipform paver SP 1500/SP 1500 L

Concrete paving equipment	
Spreading plough, working width 5,000 mm	■
Spreading plough extension elements for working widths of up to 15,250 mm, optionally including transverse camber	□
Extension module for paving dual-layer concrete slabs (receiving hopper, belt conveyor for top-layer concrete)	□
Slab paving mould, working width 5,000 mm	■
Slab paving mould extension elements for working widths of up to 15,250 mm, optionally including transverse camber	□
Oscillating beam, working width 5,000 mm	■
Super smoother, working width 5,000 mm–15,250 mm	■
Dowel bar inserter (DBI), working width 5,000 mm	■
Dowel bar inserter (DBI) extension elements for working widths of up to 15,250 mm, optionally including transverse camber	□
Longitudinal tie bar inserter	□
Side tie bar inserter(s)	□
Hydraulically driven hoisting crane for dowel bar and tie bar packages	□
Trailing and deep paving mould for concrete slabs of 200 mm and 260 mm	■
Automatic front wall control	□
Hydraulic height adjustment for vibrators	□
Vibration	
80-kVA high-frequency generator	■
16 connectors for electric vibration (for bottom-layer concrete)	■
Max. 48 connectors for electric vibration (for bottom-layer concrete)	□
16 electric vibrators, curved (for bottom-layer concrete)	■
Max. 48 electric vibrators, curved (for bottom-layer concrete)	□
10 connectors for electric vibration (for top-layer concrete)	■
Max. 30 connectors for electric vibration (for top-layer concrete)	□
10 electric T-vibrators (for top-layer concrete)	■
Max. 30 electric T-vibrators (for top-layer concrete)	□
Machine control	
“Quick start” comfort feature starts all necessary paving functions	■
PLC controlled machine functions	■

■ = standard equipment

□ = optional equipment

Equipment of slipform paver SP 1500/SP 1500 L

Equipment of slipform paver SP 1500/SP 1500 L	
Operator's platform	
Walk-through operator's platform	■
Comfortable, intuitive control panel	■
Digital screen for displaying all major operating parameters and keying in job parameters	■
Control panel cover	■
Canopy	□
Ventilation of control cabinet	□
Levelling	
Automatic levelling system	■
Four level sensors	■
Two steering sensors	■
4 slab tracers for sensing along a reference surface	□
Sensors for steering control, adjustable in both height and range	■
Stringline tensioning system	□
Tensioning winch	□
Track units and height adjustment	
4 track units (SP 1500)	■
4 pivoting legs for the front and rear track units (SP 1500)	■
Track units pivoting about 90° for transport (SP 1500)	■
2 track units (SP 1500 L)	■
3-fold level control with high-precision servo valves	■
Hydraulic height adjustment, 950 mm	■
Extremely wear-resistant polyurethane track pads	■
Lighting system	
Lighting package including 4 halogen spotlights	■
Lighting package including 6 floodlights (110 V)	□
Miscellaneous	
Standard painting in Wirtgen white with orange stripes	■
Special painting in one or several colours	□
High-pressure water cleaner including 870-litre water tank	□
Additional water tank, 1,100 l	□
Independent power generator for special lighting or individual customer equipment	□
Comprehensive toolkit in lockable toolbox	■
Comprehensive operating manual and machine documentation	■
Machine commissioning by qualified personnel	□

■ = standard equipment
□ = optional equipment



Wirtgen GmbH
Reinhard-Wirtgen-Strasse 2 · 53578 Windhagen · Germany
Phone: +49 (0) 26 45/131-0 · Fax: +49 (0) 26 45/131-392
Internet: www.wirtgen.com · E-Mail: info@wirtgen.com